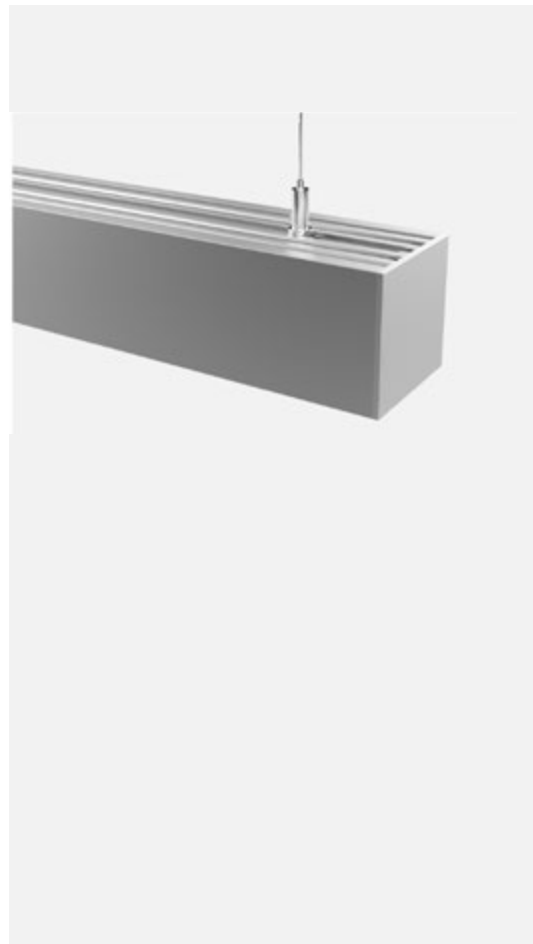
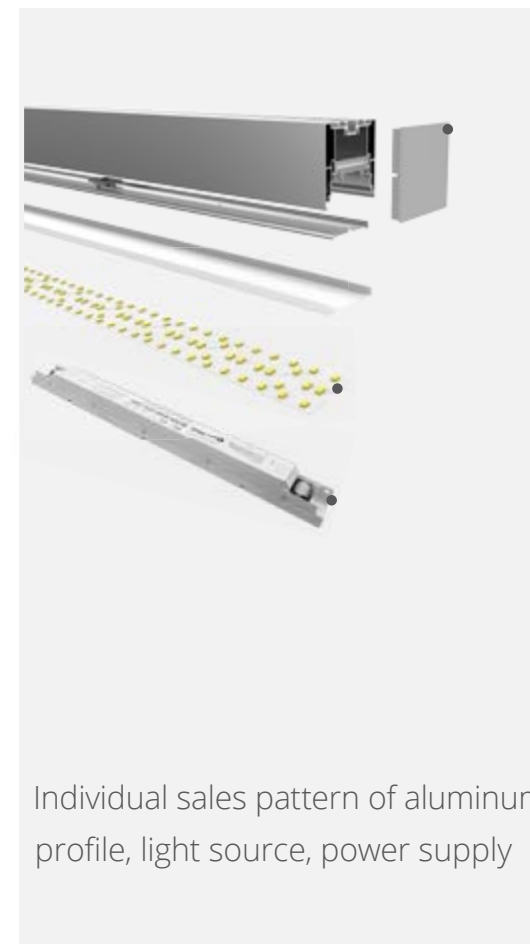




Chain Series LED Linear Light Content



Series	GLS	GLE	GLT	GLC
Exterior color	Silver	White	Black	
Installation				
Length	1200 mm	1800 mm	2500 mm	



PROFILE

Series	GLS	GLE	GLT	GLC
Exterior color	Silver	White	Black	
Installation				
Length	1200 mm	1800 mm	2500 mm	
LED				
light source	FPC	PCB		
CCT	2700 K	3000 K	4000 K	6000 K
DRIVER				
power	25 W	65 W	100 W	



Product Range



Black & white Housing Colour for Option

Series	Model	Image	Size	Installation	Cover	CCT	Exterior color	LED-FPC	LED-PCB	180	L90	L90N	L90W	T90	X90
GLS	GLS3360		33*60*2500mm			2700 K 3000 K 4000 K 6000 K		GD8280-15	GDY8280-17						
	GLS4067		40*67*2500mm			2700 K 3000 K 4000 K 6000 K		GD8280-20	GDY8280-23						
	GLS5470		54*70*2500mm			2700 K 3000 K 4000 K 6000 K		GD8280-34	GDY8280-36						
	GLS7977		79*77*2500mm			2700 K 3000 K 4000 K 6000 K		GD8420-59	GDY8420-62						
	GLS10570		105*70*2500mm			2700 K 3000 K 4000 K 6000 K		GD8560-85	GDY8560-88						
GLE	GLE5535		55*35*2500mm			2700 K 3000 K 4000 K 6000 K		GD8280-20	GDY8280-23						
	GLE6935		69*35*2500mm			2700 K 3000 K 4000 K 6000 K		GD8280-34	GDY8280-36						
	GLE9435		94*35*2500mm			2700 K 3000 K 4000 K 6000 K		GD8420-52	GDY8420-55						
GLC	GLC12843		128*43*2500mm			2700 K 3000 K 4000 K 6000 K		GD8280-20	GDY8280-23						
GLT	GLT60		60*60*2500mm			2700 K 3000 K 4000 K 6000 K		GD8252	--						
	GLT120		120*120*2500mm			2700 K 3000 K 4000 K 6000 K		GD8350	--						



Product Range



Black & white Housing Colour for Option

Series	Model	Image	Size	Installation	Cover	CCT	Exterior color	Strip
GLS	GLS3535		35*35*2500mm			2700 K 3000 K 4000 K 6000 K		GD8252
	GLS1613		16*13*2500mm			2700 K 3000 K 4000 K 6000 K		GD898
	GLS0709		7*9*2500mm			2700 K 3000 K 4000 K 6000 K		GD3120
	GLS1911K		19*20*2500mm			2700 K 3000 K 4000 K 6000 K		GD8196
GLG	GLG1515C		15*15*2500mm			2700 K 3000 K 4000 K 6000 K		GD898
	GLG3030C		30*30*2500mm			2700 K 3000 K 4000 K 6000 K		GD8196
GLE	LE2613		26*13*2500mm			2700 K 3000 K 4000 K 6000 K		GD898



Chain GLS SERIES

Innovative magnet end cap, easy installation without screws;

Multi-corner connectors are available: 180 ° straight, L-type, T-type, X-type;

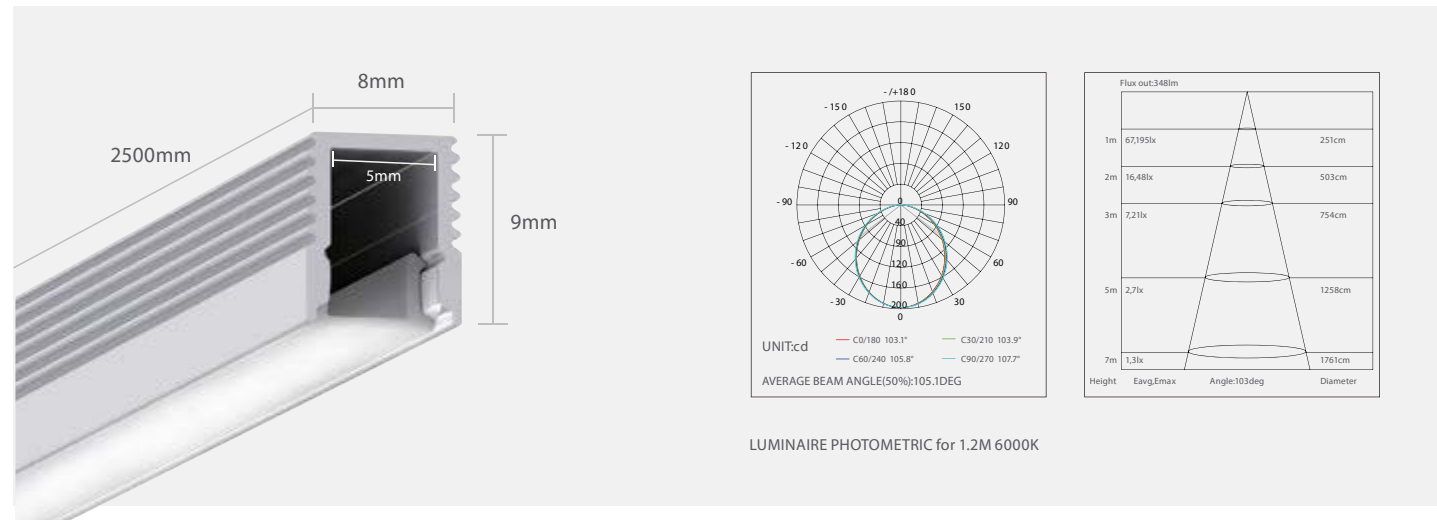
Built-in three-in-one dimming driver;

Various of customized services: customized colors, size, material and so on.

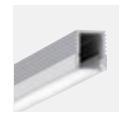


- ① Profile
- ② PC cover
- ③ End cap
- ④ LED
- ⑤ Carrier
- ⑥ Suspending accessories
- ⑦ Driver
- ⑧ Recessed accessories

GLS0709



Standard



GLS0709-PRx1



GLS0709-ECx4

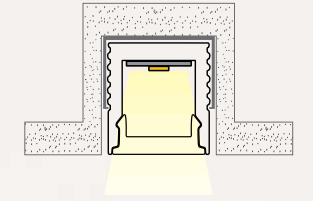


GLS0709-SMx8

Optional



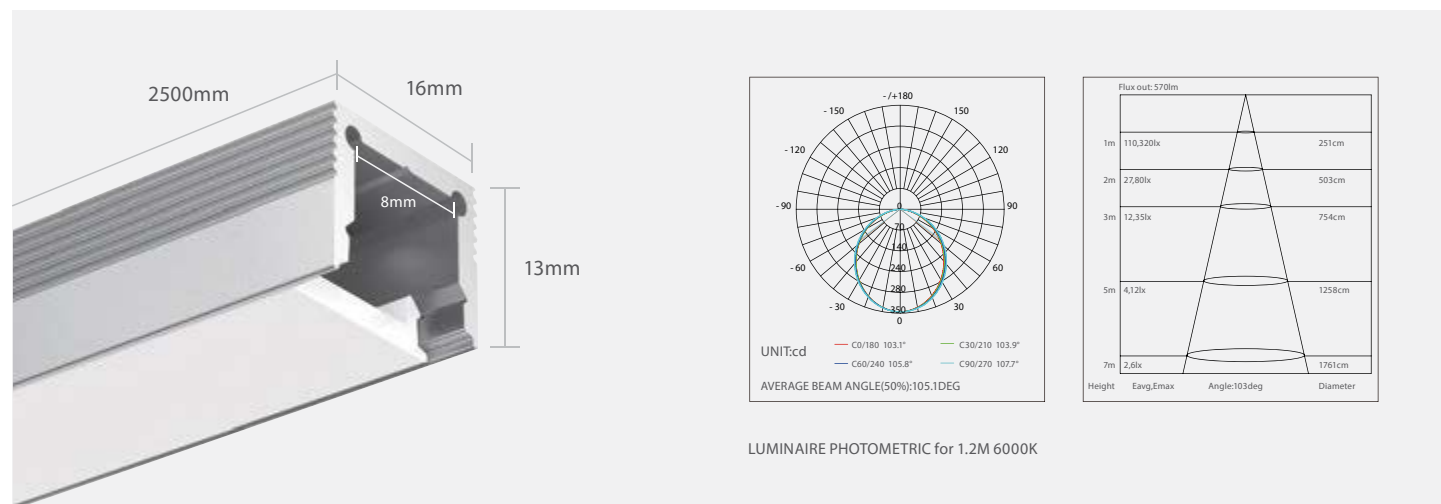
GD3120



Recessed



GLS1613



Standard



GLS1613-PRx1



GLS1613-ECx4



GLS1613-SMx8

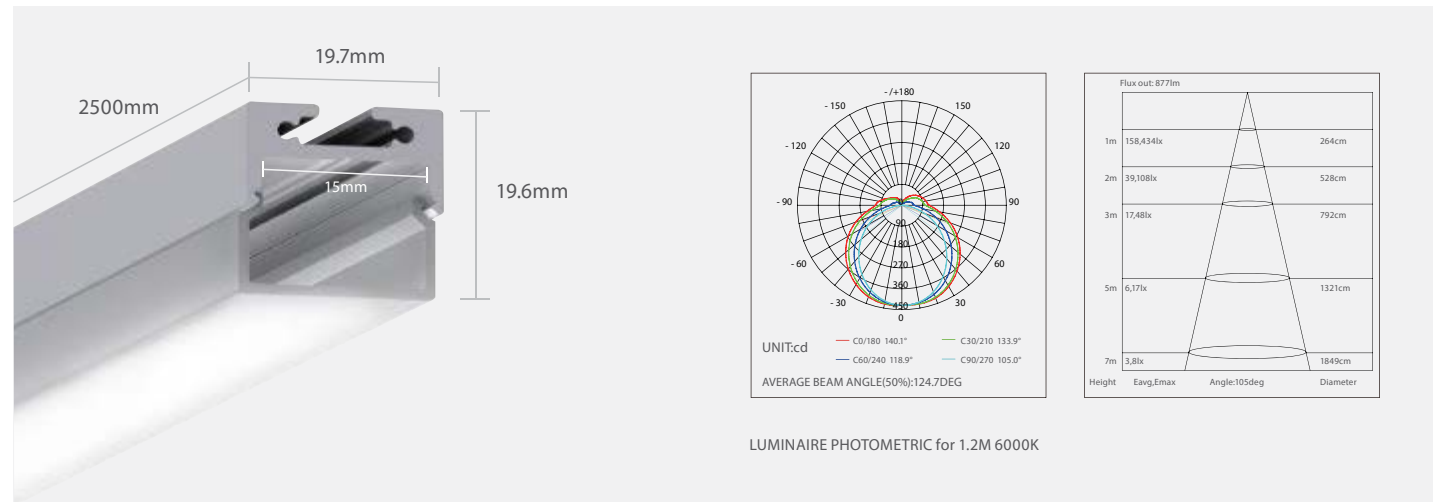
Optional



GD898



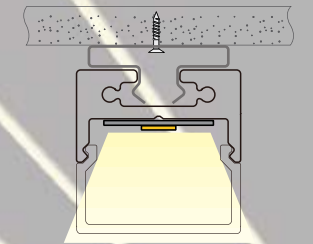
GLS1911K



Standard



Optional

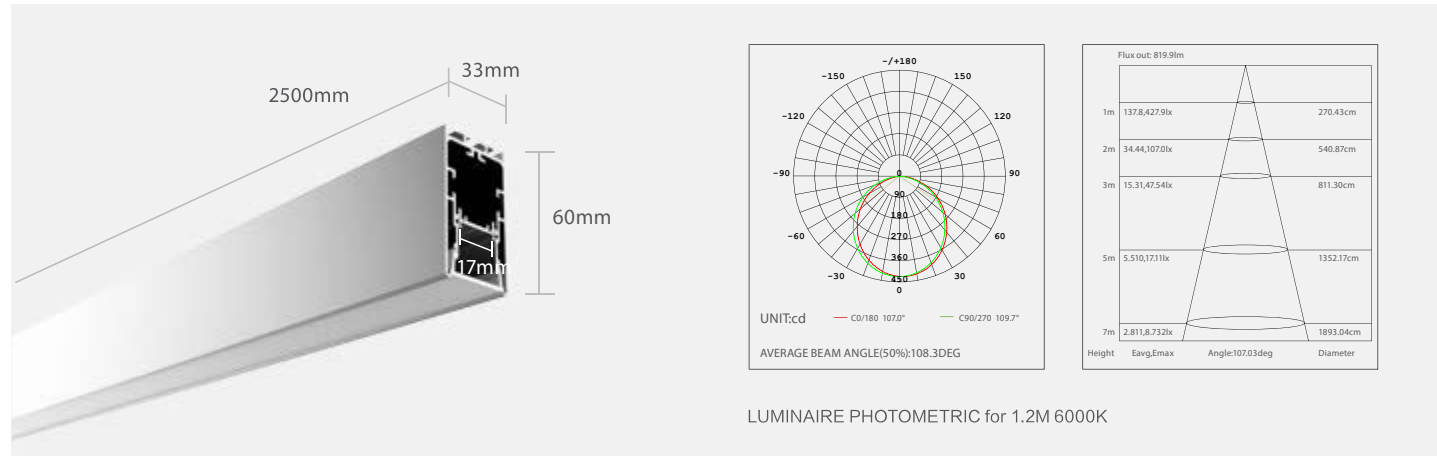


Surface mounted

GLS3360



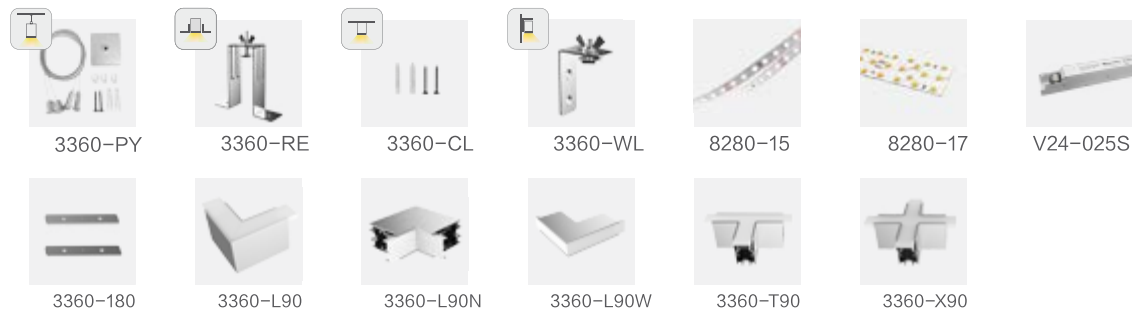
greenlux
cost reduction LED lighting



Standard



Optional



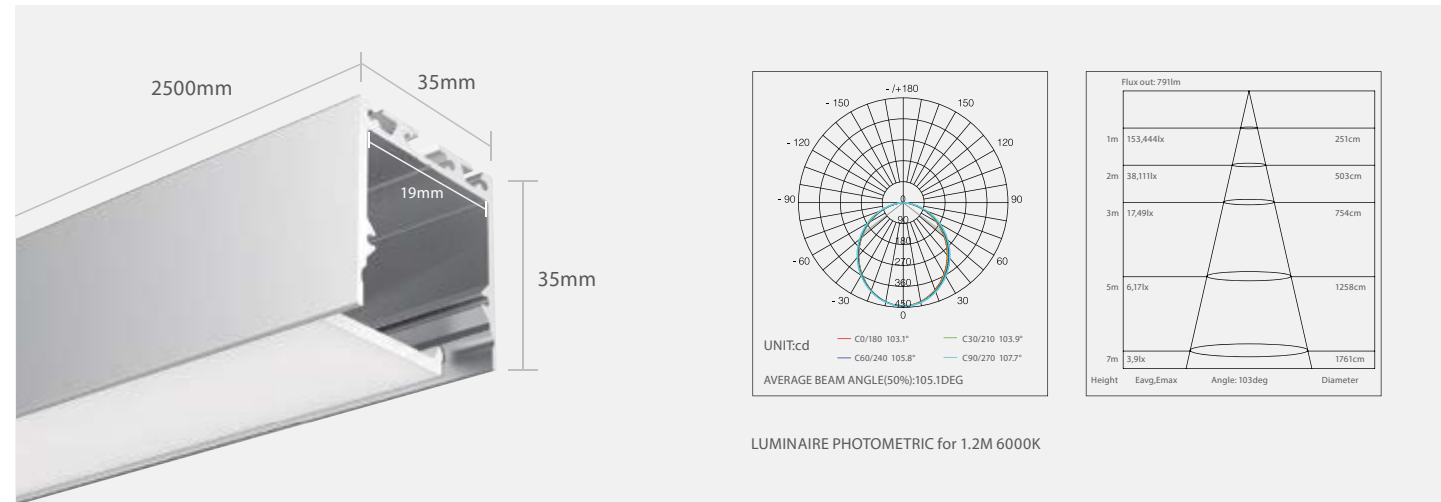
Pendant



GLS 3535



greenlux
cost reduction LED lighting



Standard



GLS3535-PRM



GLS3535-EOx8



GLS3535-SMx8

Optional



GLS3535-PY



GD8252



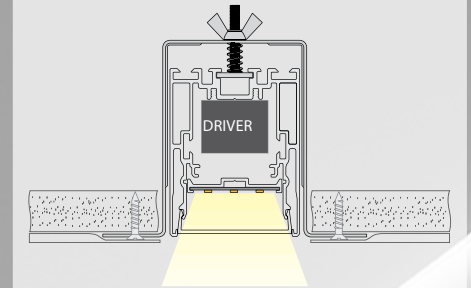
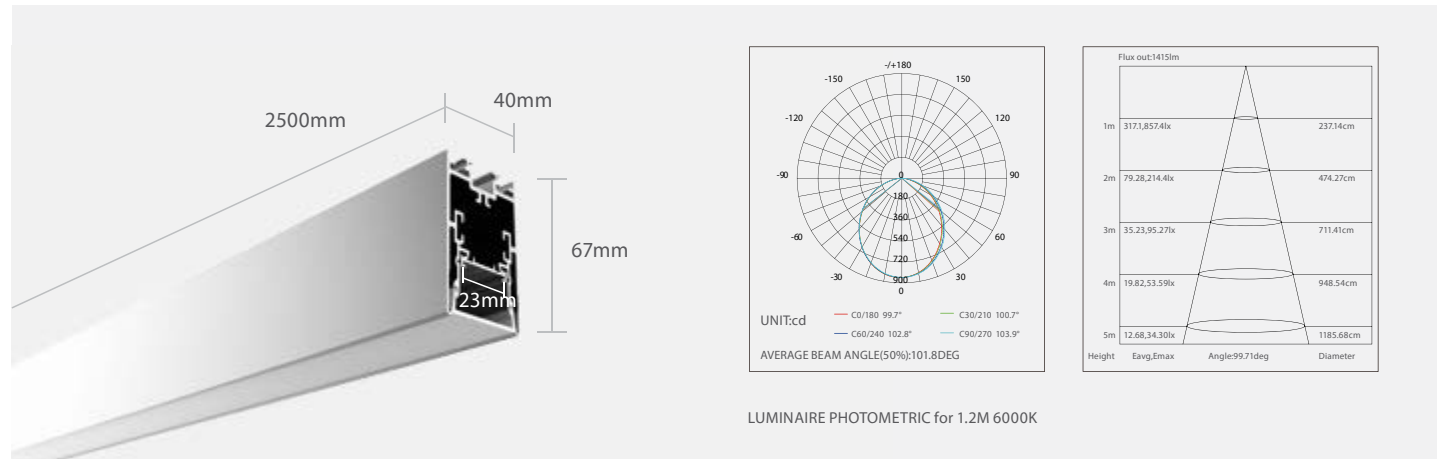
GCN1001/CN1003



Pendant



GLS4067

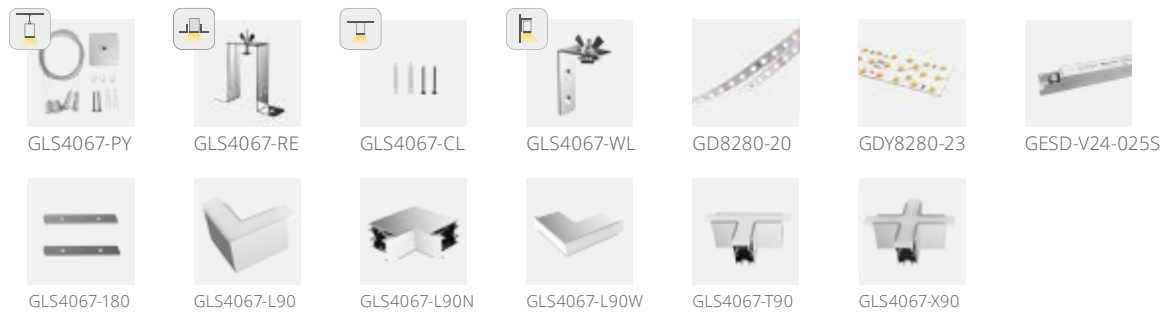


Recessed

Standard



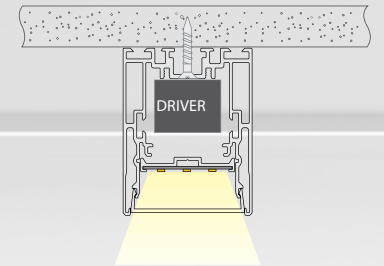
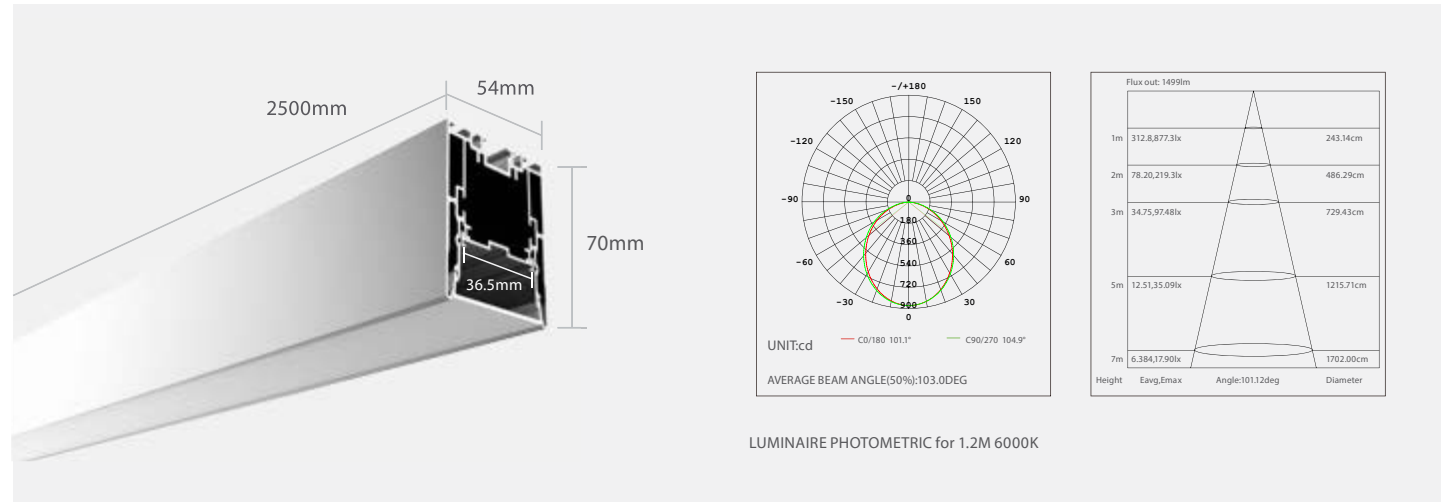
Optional



GLS5470



greenlux
cost reduction LED lighting



Surface mounted

Standard



GLS5470-PRx1



GLS5470-ECx2



GLS5470-CVx1



GLS5470-BKx3

Optional



GLS5470-PY



GLS5470-RE



GLS5470-CL



GLS5470-WL



GD8280-34



GDY8280-36



GESD-V24-065S



GLS5470-180



GLS5470-L90



GLS5470-L90N



GLS5470-L90W



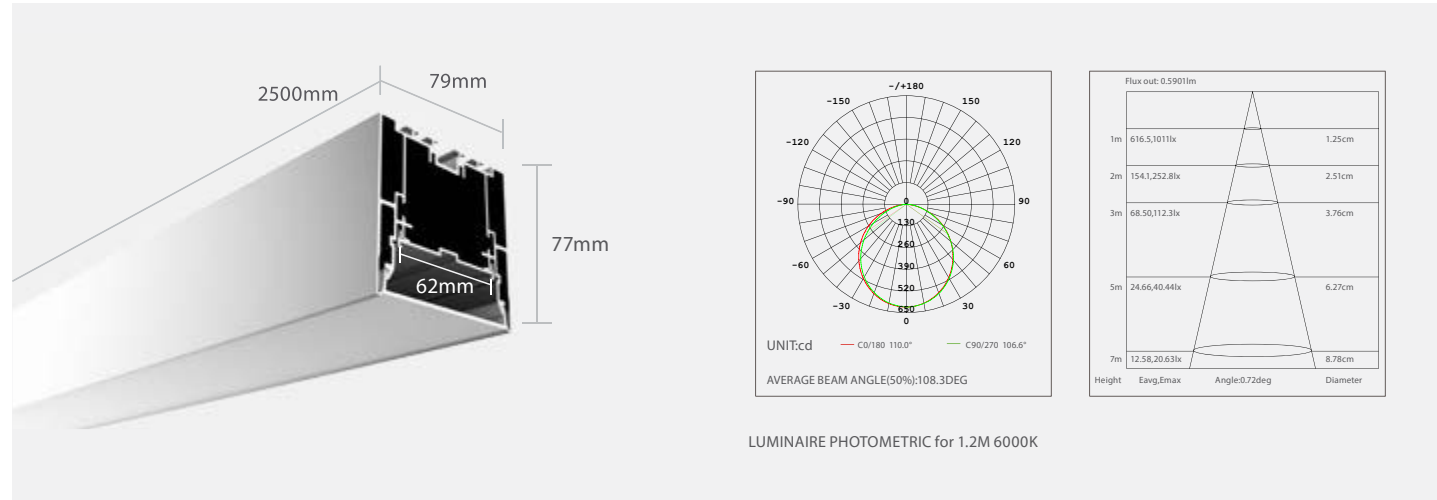
GLS5470-T90



GLS5470-X90



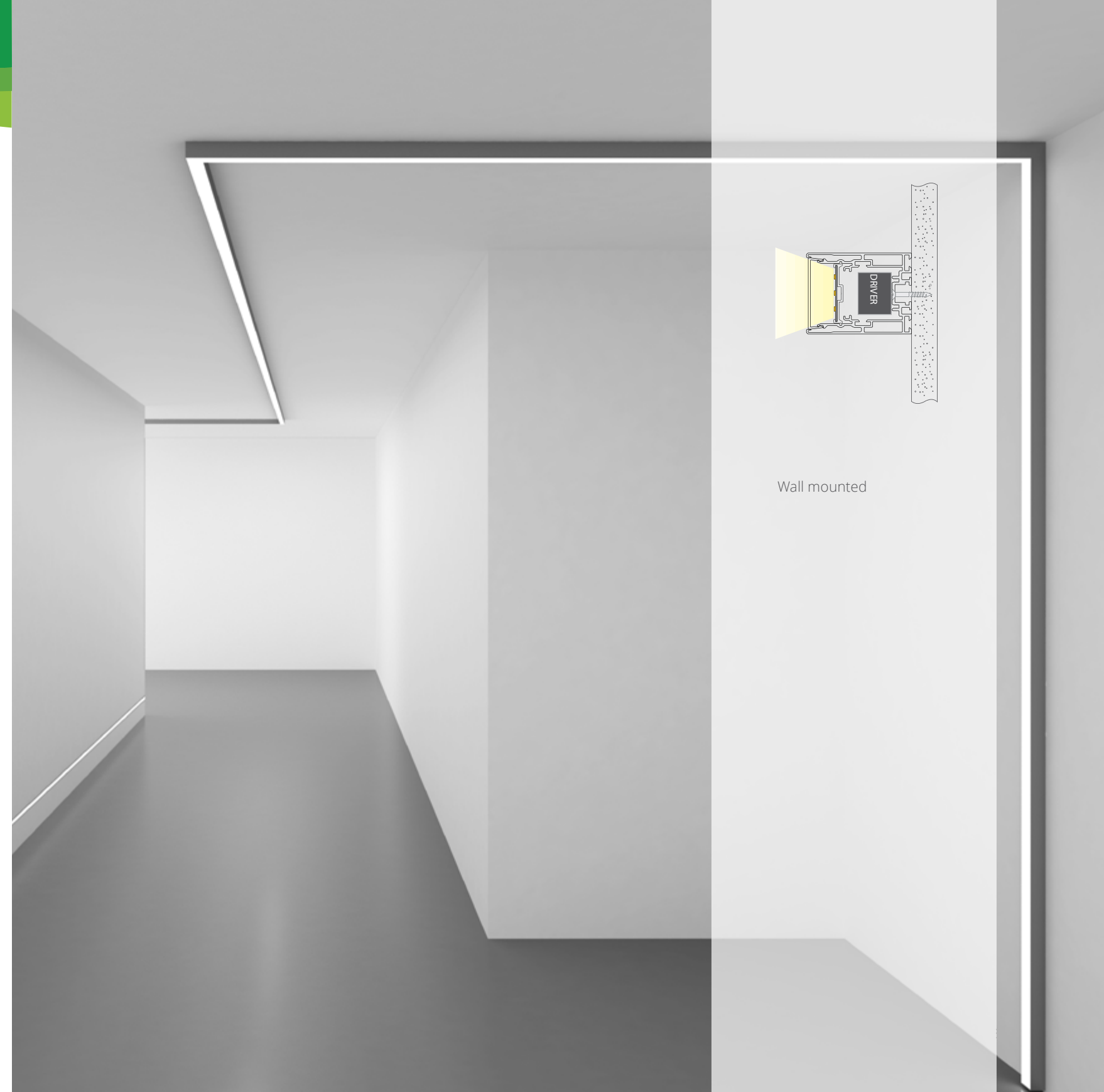
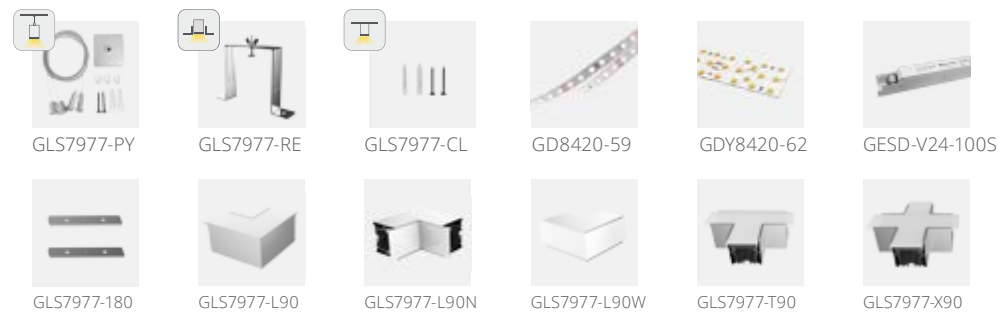
GLS7977



Standard



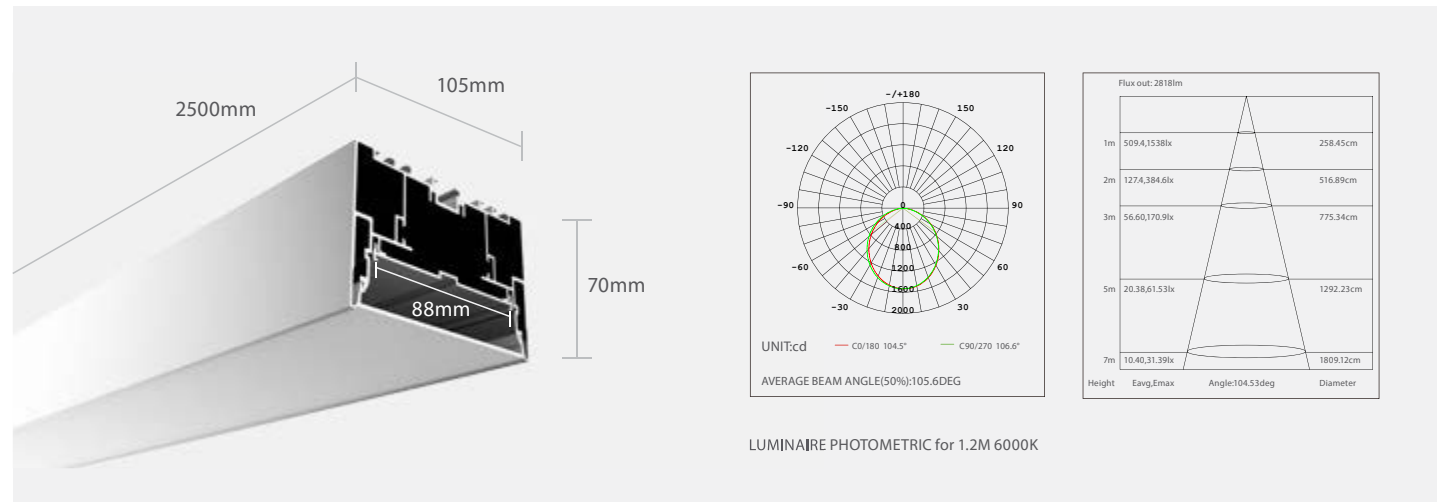
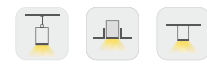
Optional



Wall mounted



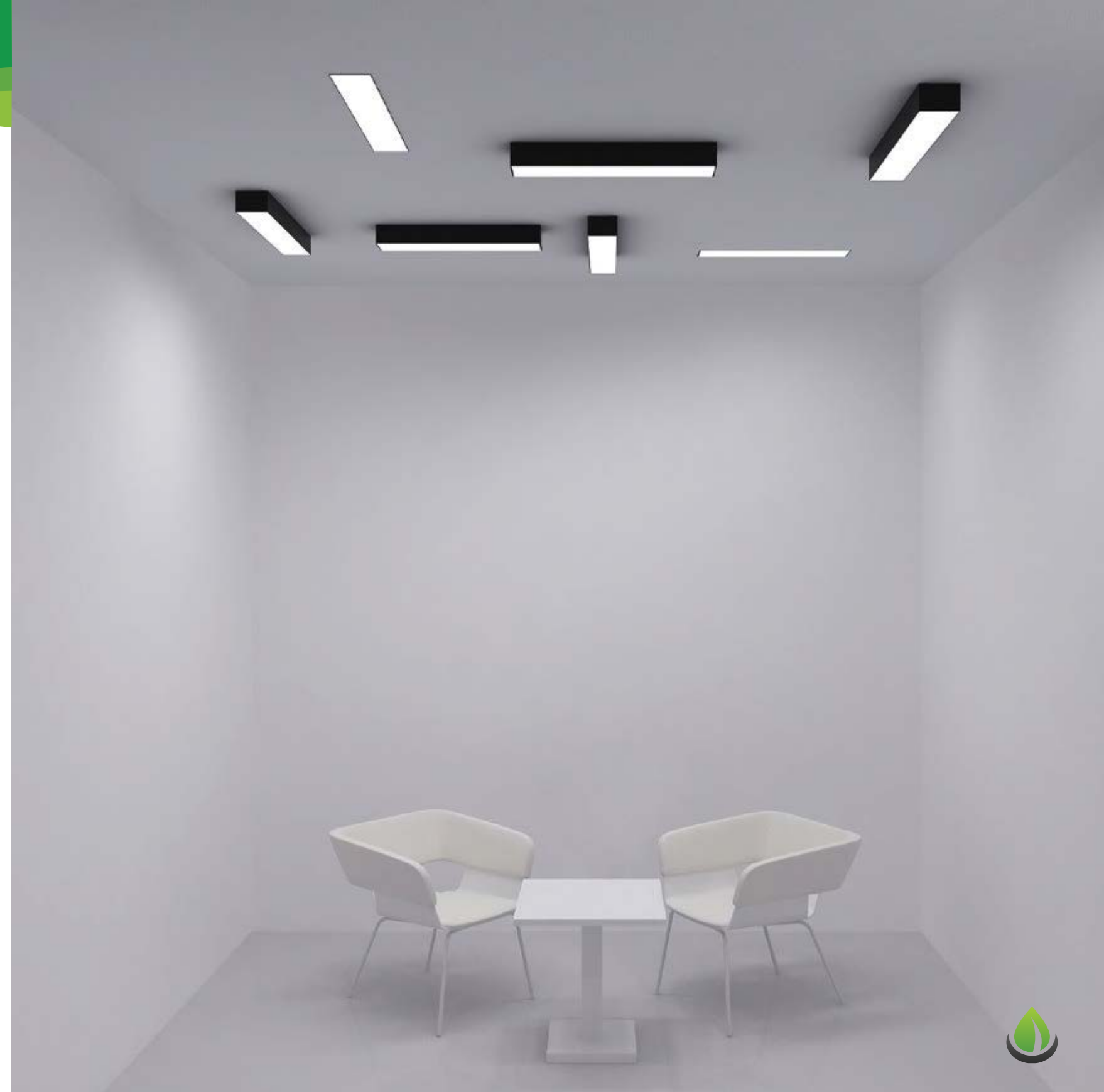
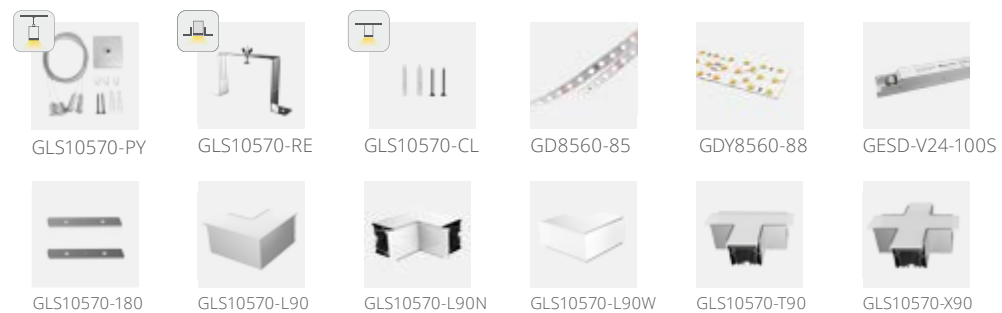
GLS10570



Standard



Optional

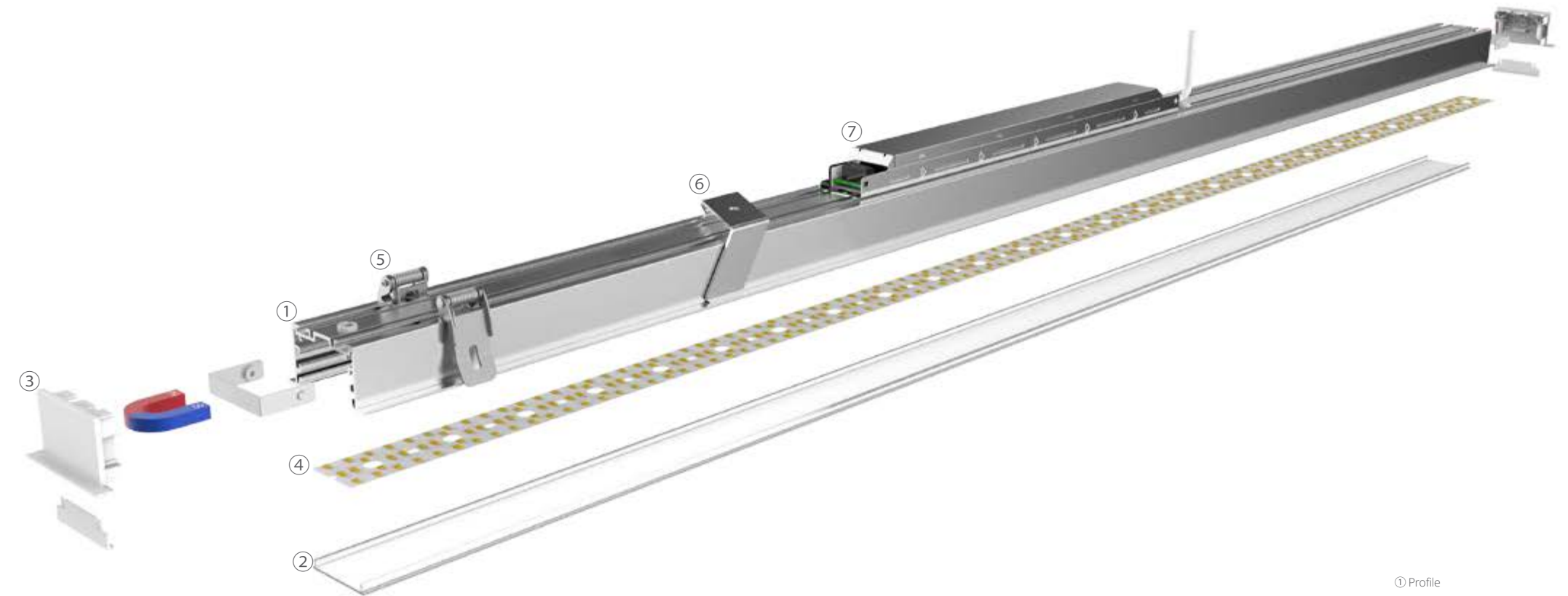


Chain GLE SERIES

Innovative magnet end cap, easy installation without screws;

Multi-corner connectors are available: 180 ° straight, L-type, T-type, X-type;

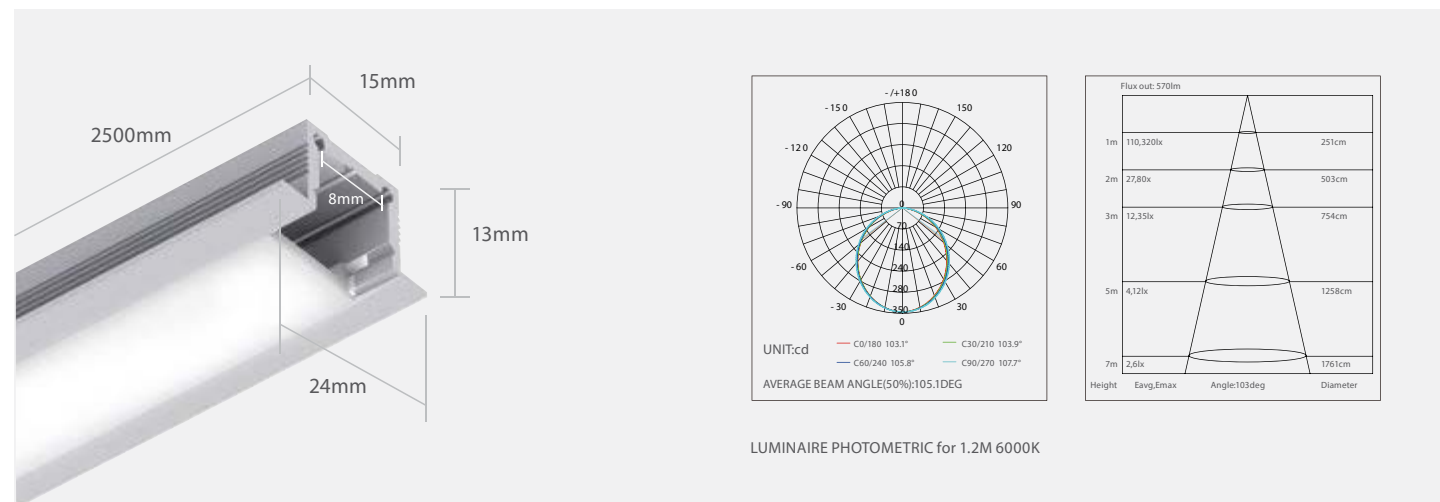
Various of customized services: customized color, size, material and so on.



- ① Profile
- ② PC cover
- ③ End cap
- ④ LED
- ⑤ ⑥ Recessed accessories
- ⑦ Driver



GLE 2613



Standard



GLE2613-PRx1



GLE2613-ECx4

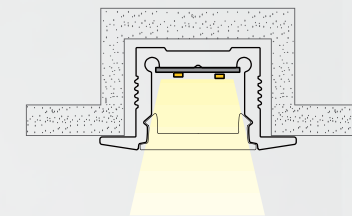


GLE2613-CL

Optional



GD898



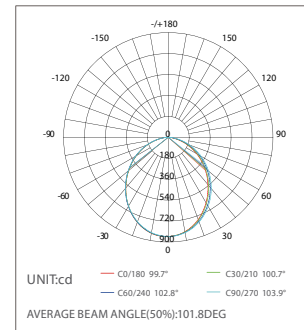
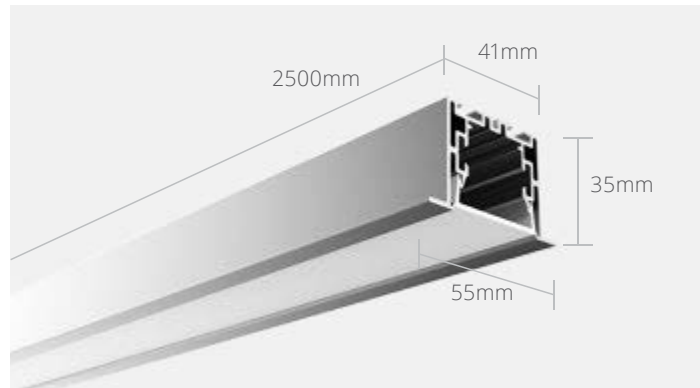
Recessed



GLE 5535



greenlux
cost reduction LED lighting



Height	Eavg,Emax	Angle99.7deg	Diameter
1m	3171,857lx		23714cm
2m	79,28,214lx		474,27cm
3m	35,23,95,27lx		711,41cm
4m	19,82,53,59lx		948,54cm
5m	12,68,34,30lx		1185,68cm

Standard



Profile x1



End Cap x2



Cover x1

Optional



GLE5535-RN



GLE-RB



GD8240H



GESD-V24-0655



180



GLE5535-L90W



GLE5535-L90N



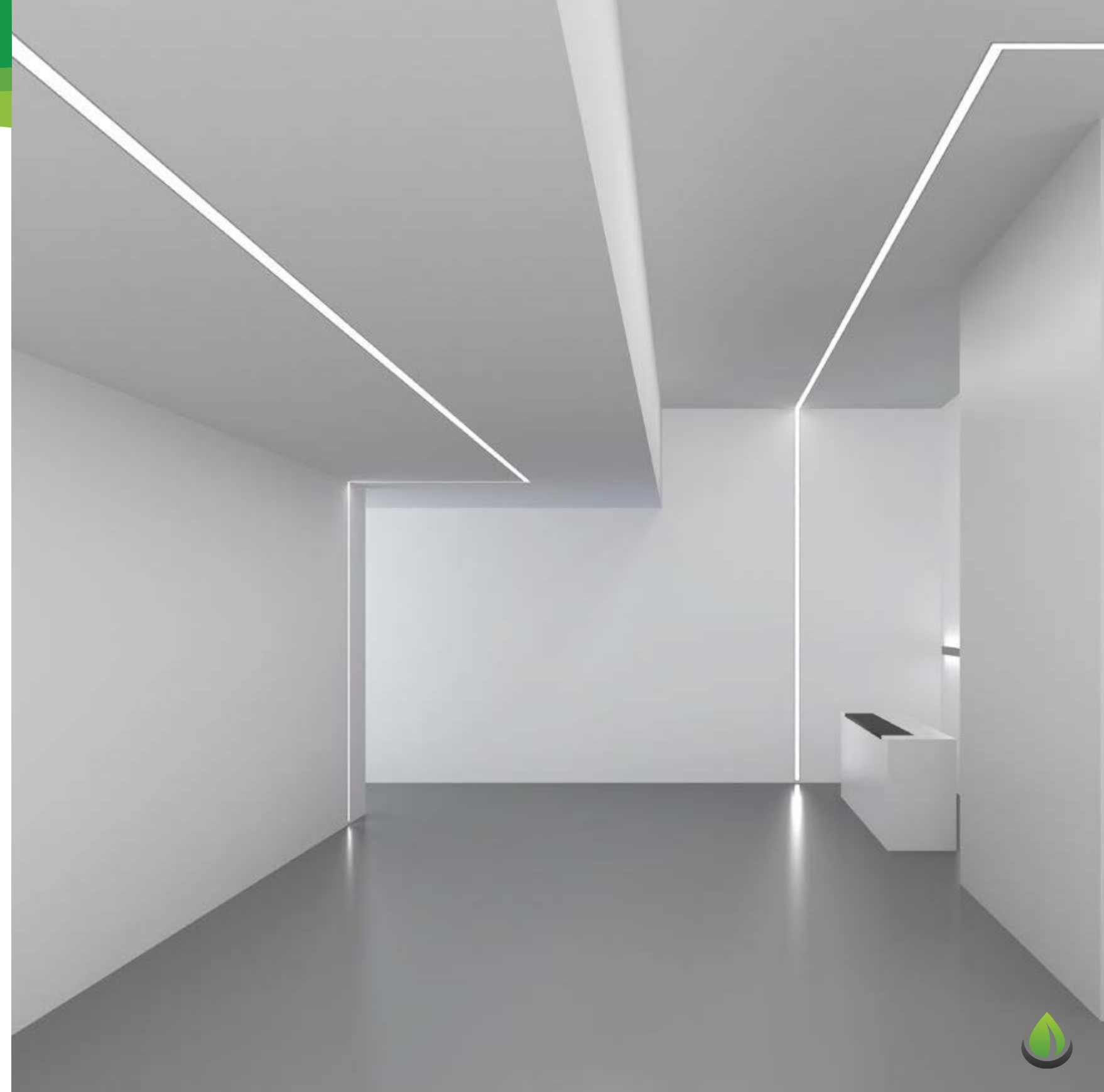
GLE5535-L90



GLE5535-T90



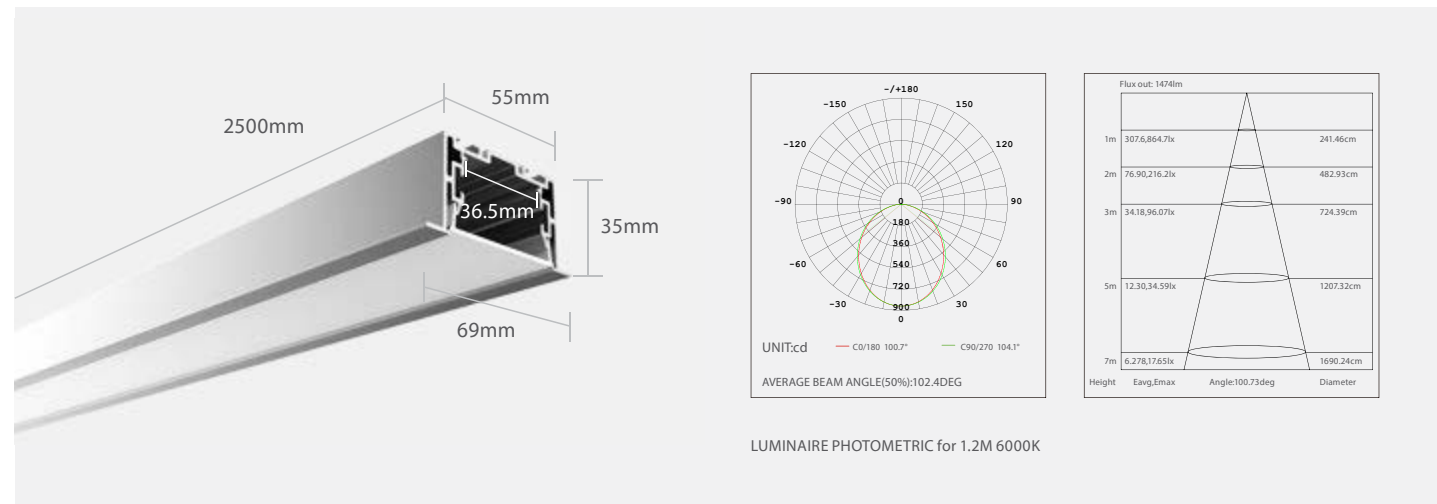
GLE5535-X90



GLE6935



greenlux
cost reduction LED lighting



Standard



GLE6935-PRX1



GLE6935-ECX2



GLE6935-CVX1

Optional



GLE6935-RN



GLE6935-RB



GD8280-34



GDY8280-36



GESD-V24-0655



GLE6935-180



GLE6935-L90



GLE6935-L90N



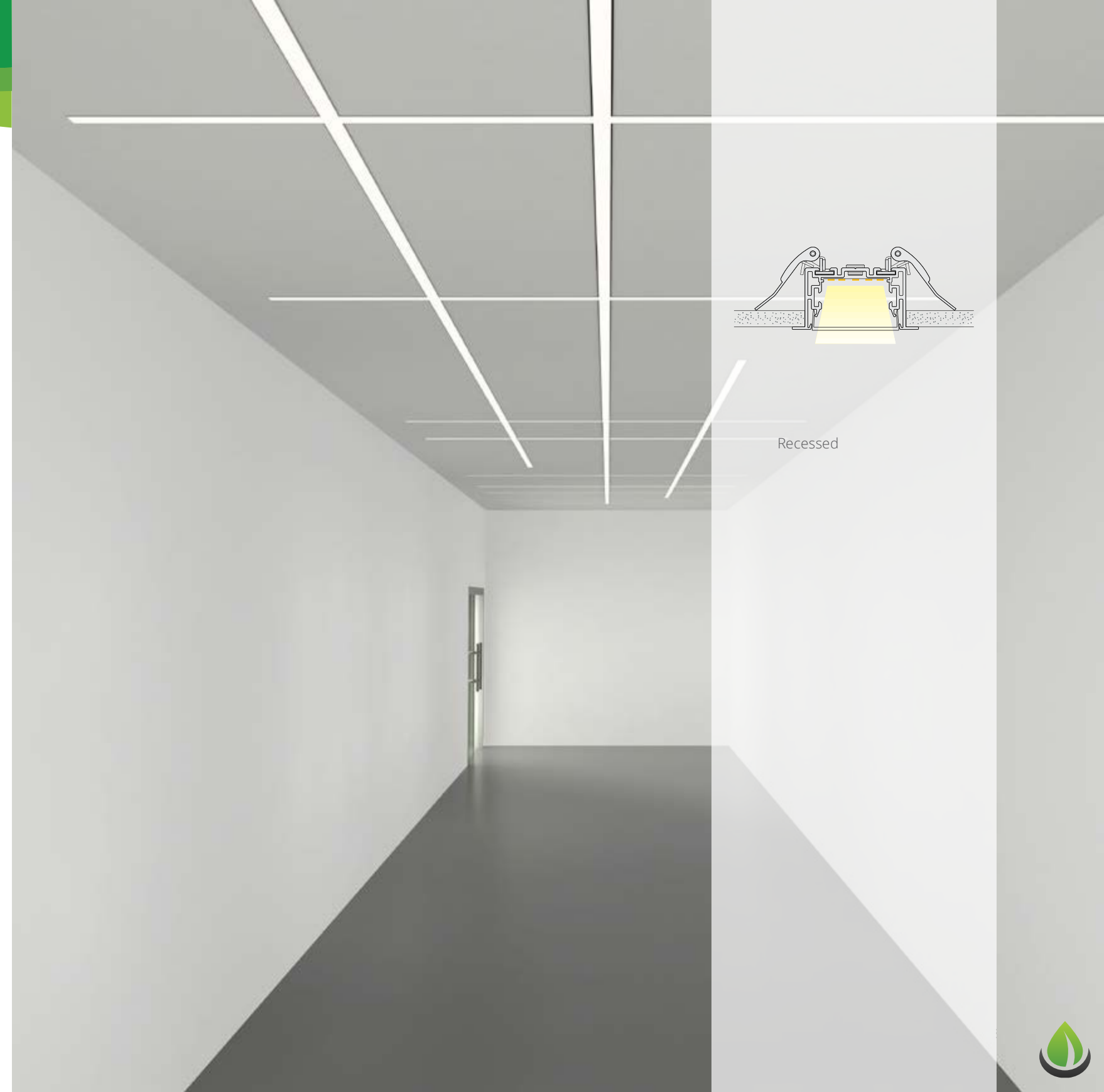
GLE6935-L90W



GLE6935-T90



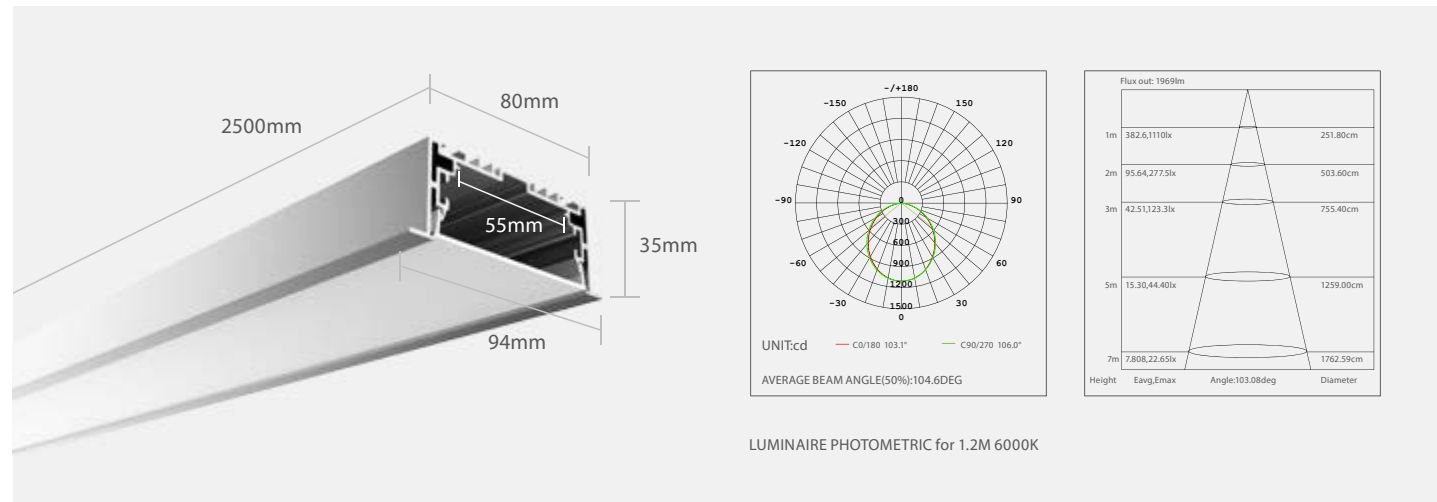
GLE6935-X90



GLE9435



greenlux
cost reduction LED lighting



Standard



GLE9435-PRM1



GLE9435-ECX2



GLE9435-CV1

Optional



GLE9435-RN



GLE9435-RB



GD8420-52



GDY8420-55



GESD-V24-100S



GLE9435-180



GLE9435-L90



GLE9435-L90N



GLE9435-L90W



GLE9435-T90

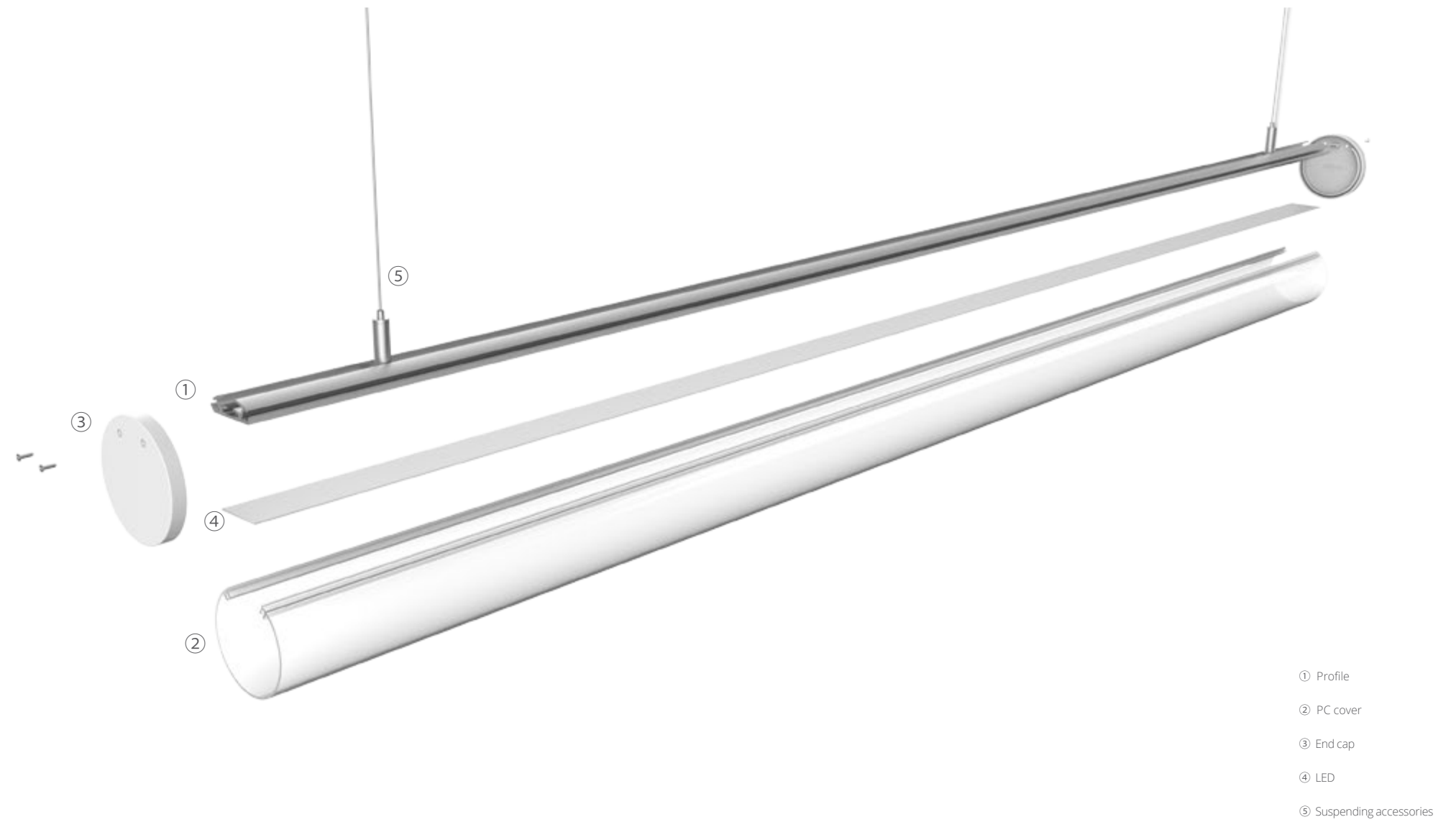


GLE9435-X90



Chain GLT SERIES

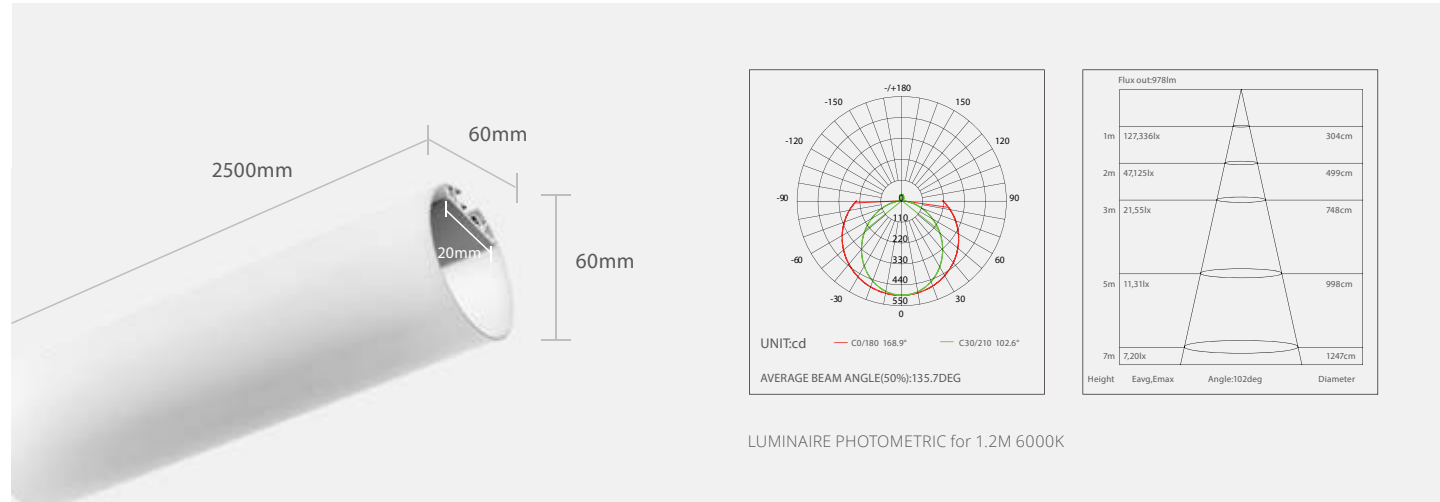
Simple, stylish, unique appearance;
Imported cover, light transmittance > 85%



GLT 60



greenlux
cost reduction LED lighting



Standard



GLT-60-PRx1



GLT-60-ECx2



GLT-60-CVx1

Optional



GLT-60-PY



GLT-60-CL



GLT-60-Strip



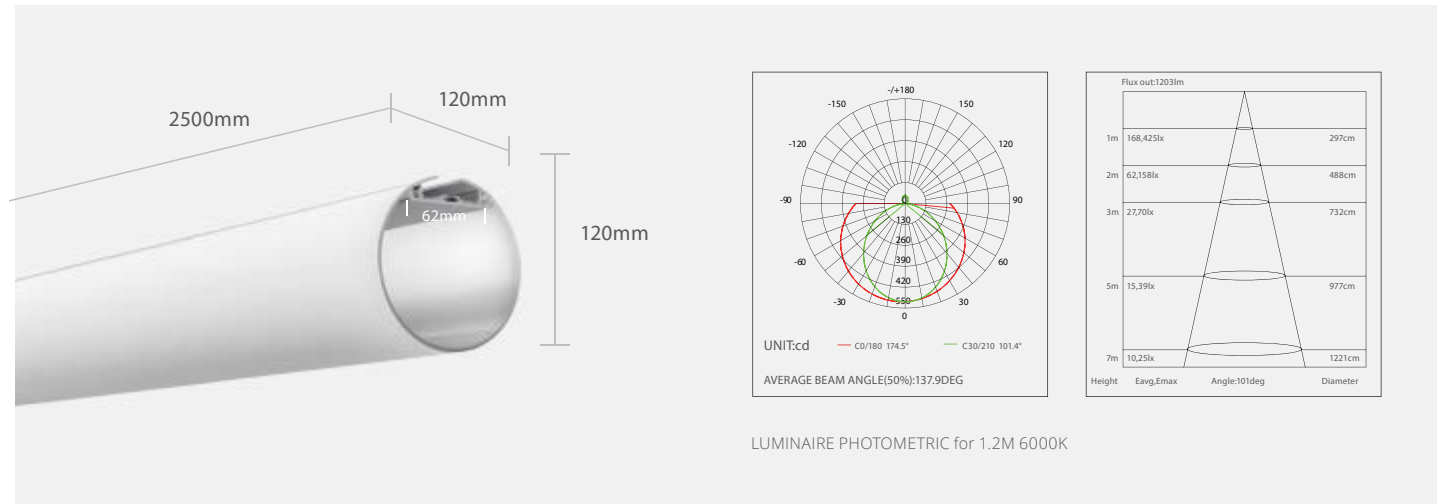
CN1001/CN1003



GLT 120  



greenlux
cost reduction LED lighting



Standard



GLT-120-PR1



GLT-120-EC2



GLT-120-CV1

Optional



GLT-120-PY



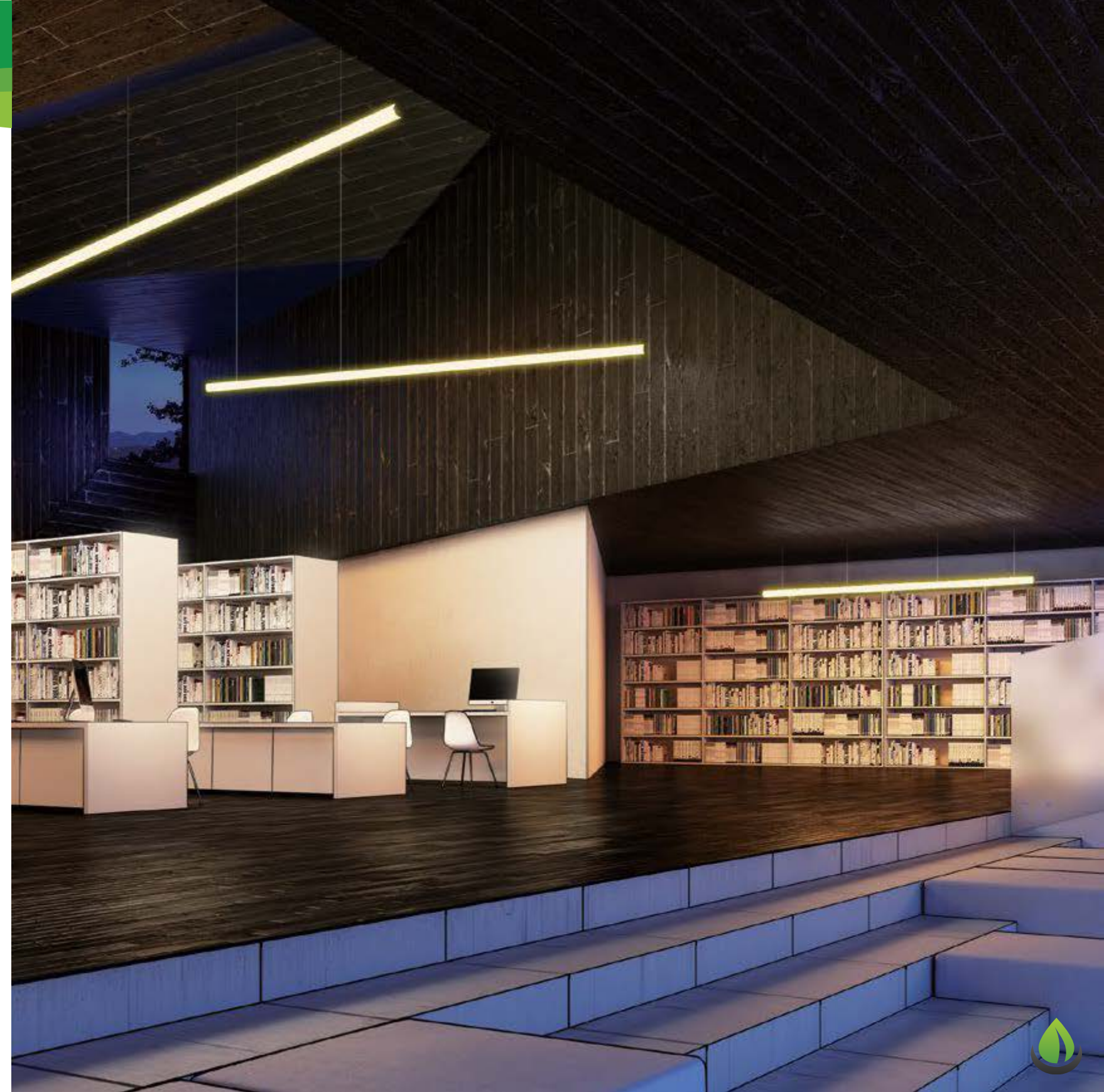
GLT-120-CL



GLT-120-Strip

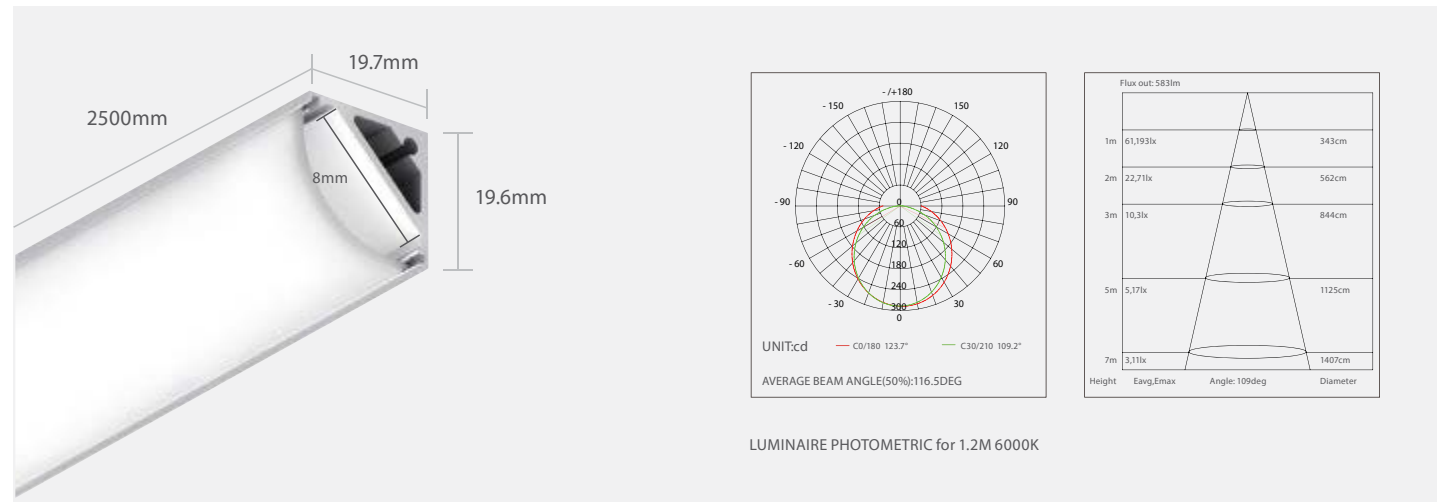


CN1001/CN1003





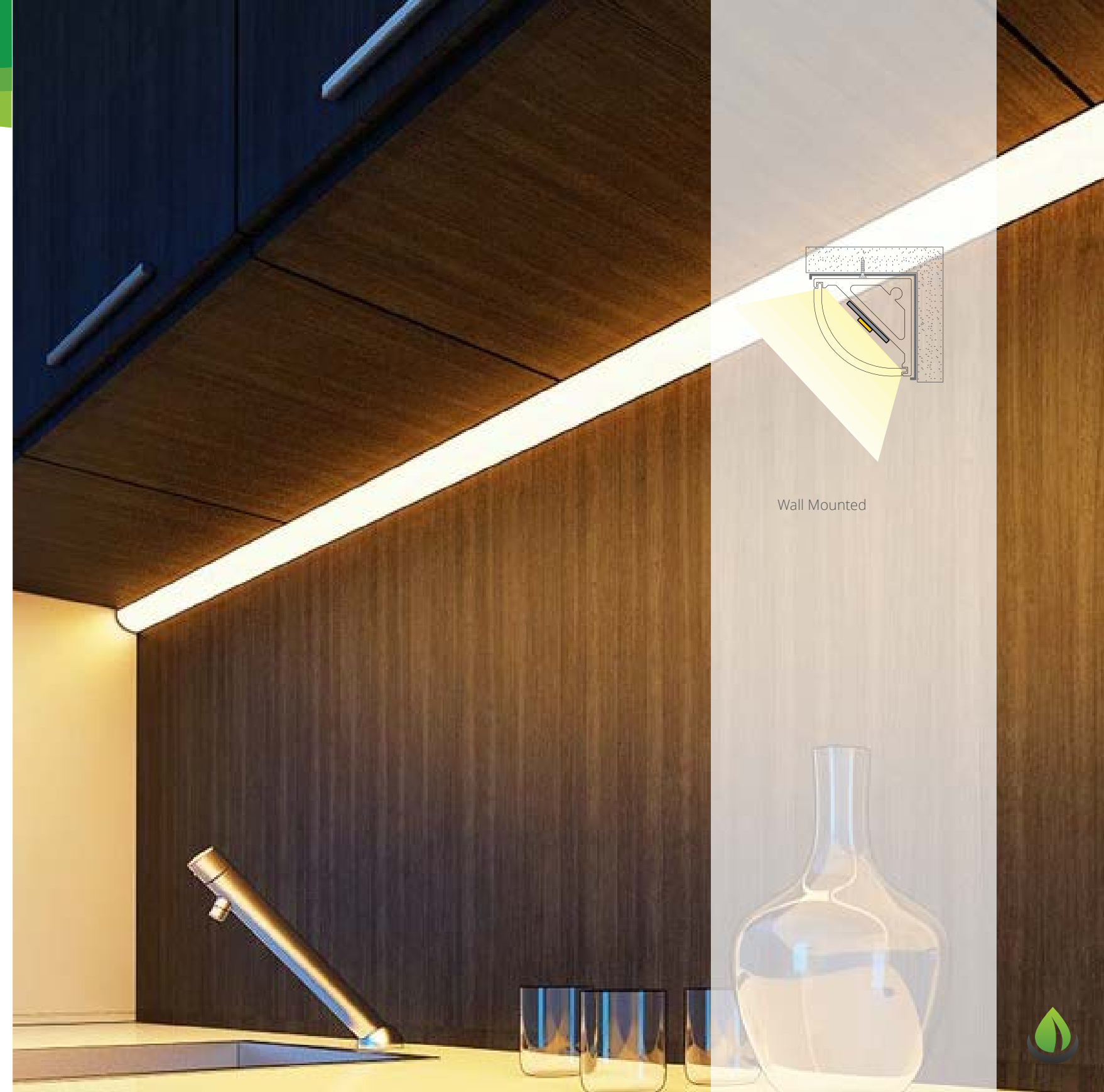
GLG 1515C 



Standard

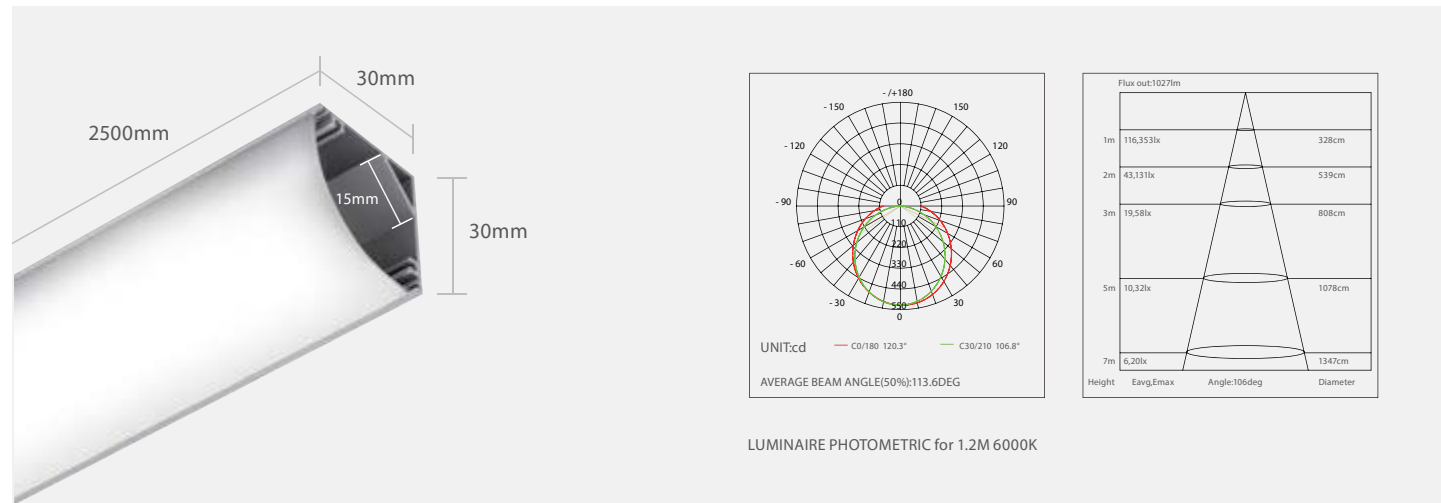


Optional





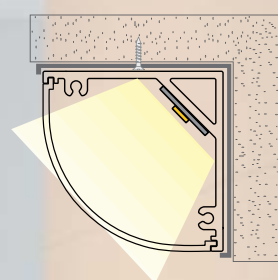
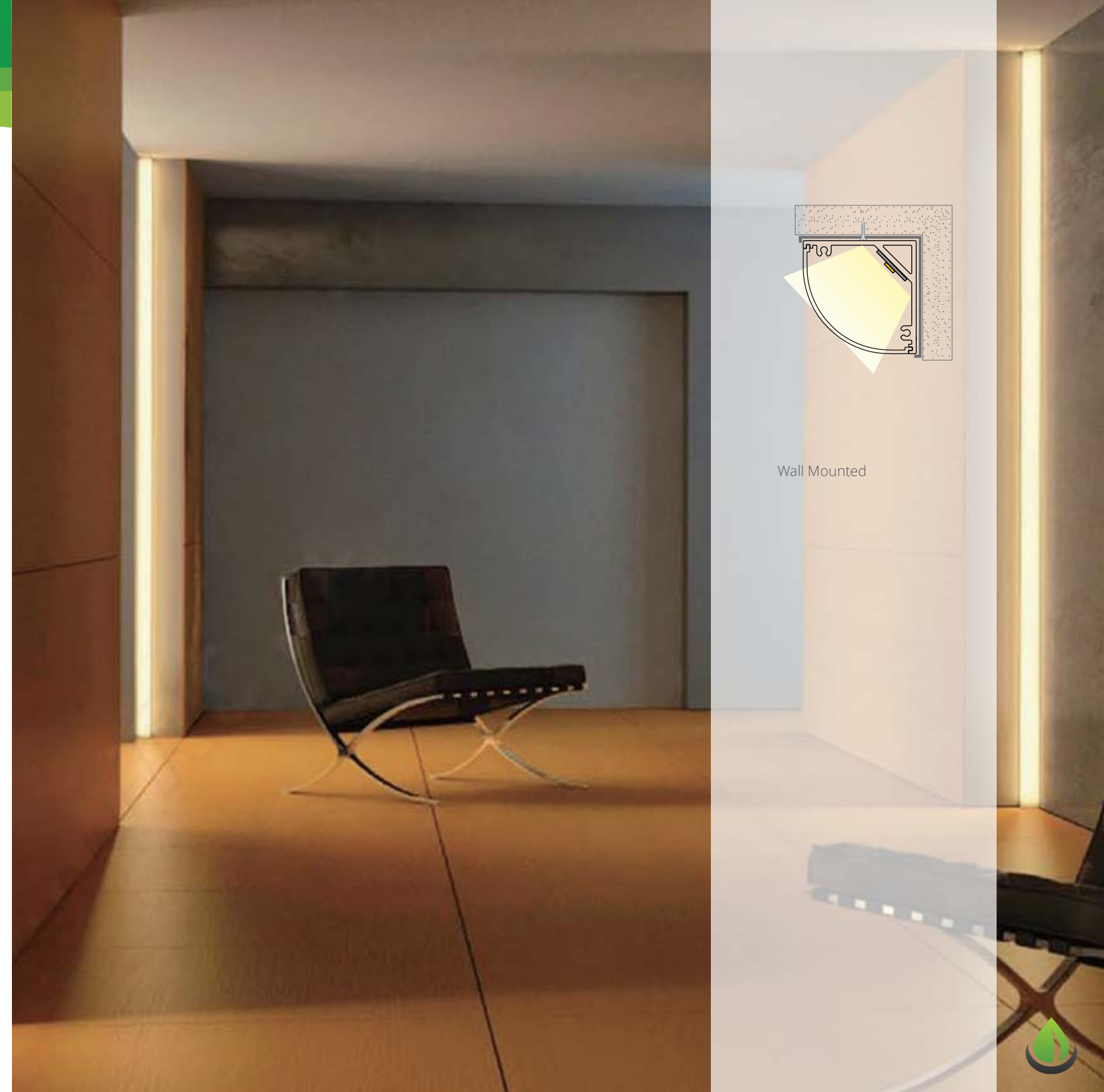
GLG 3030C 



Standard



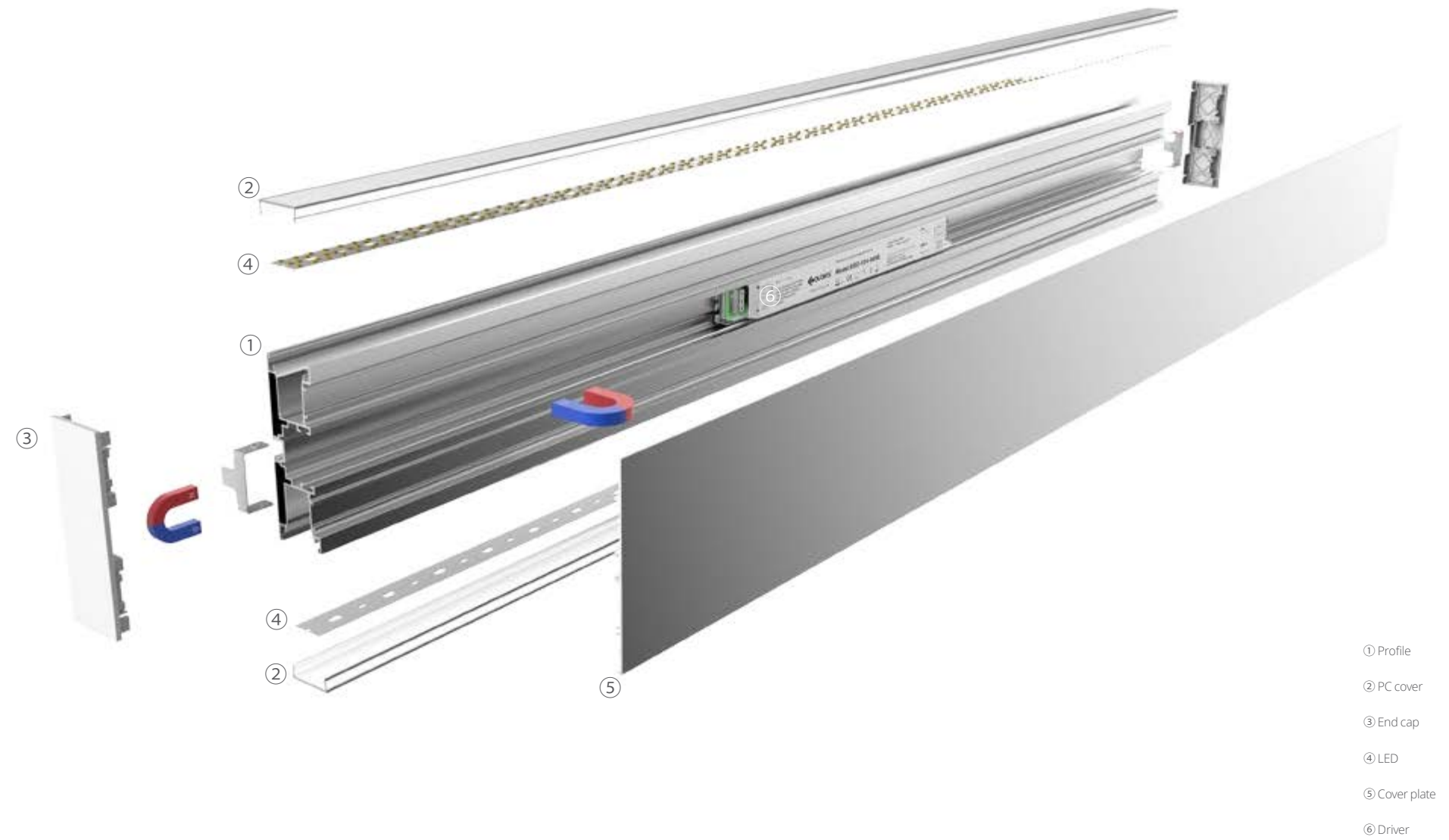
Optional



Wall Mounted

Chain GLC SERIES

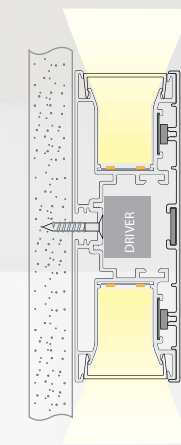
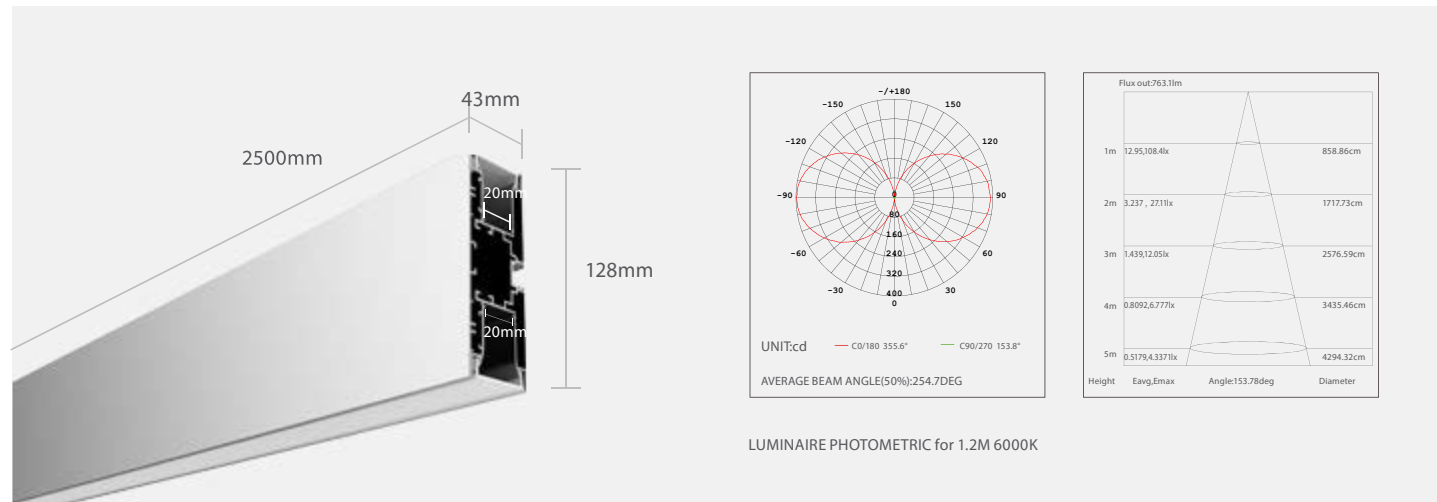
Up-down double size lighting, various lighting style;
End cap with magnet , cover application, easy to install;
Built-in driver, simplifying the installation process;
Matching corner connection, more humanization;



GLC 12843



greenlux
cost reduction LED lighting



Wall Mounted

Standard



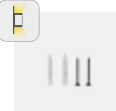
GLC12843-PRx1



GLC12843-ECx2



GLC12843-CVx2



GLC12843-CL



GLC12843-SRx1

Optional



GD8280-20



GDY8280-23



GESD-V24-0655



GLC12843-180



GLC12843-L90W



GLC12843-L90N



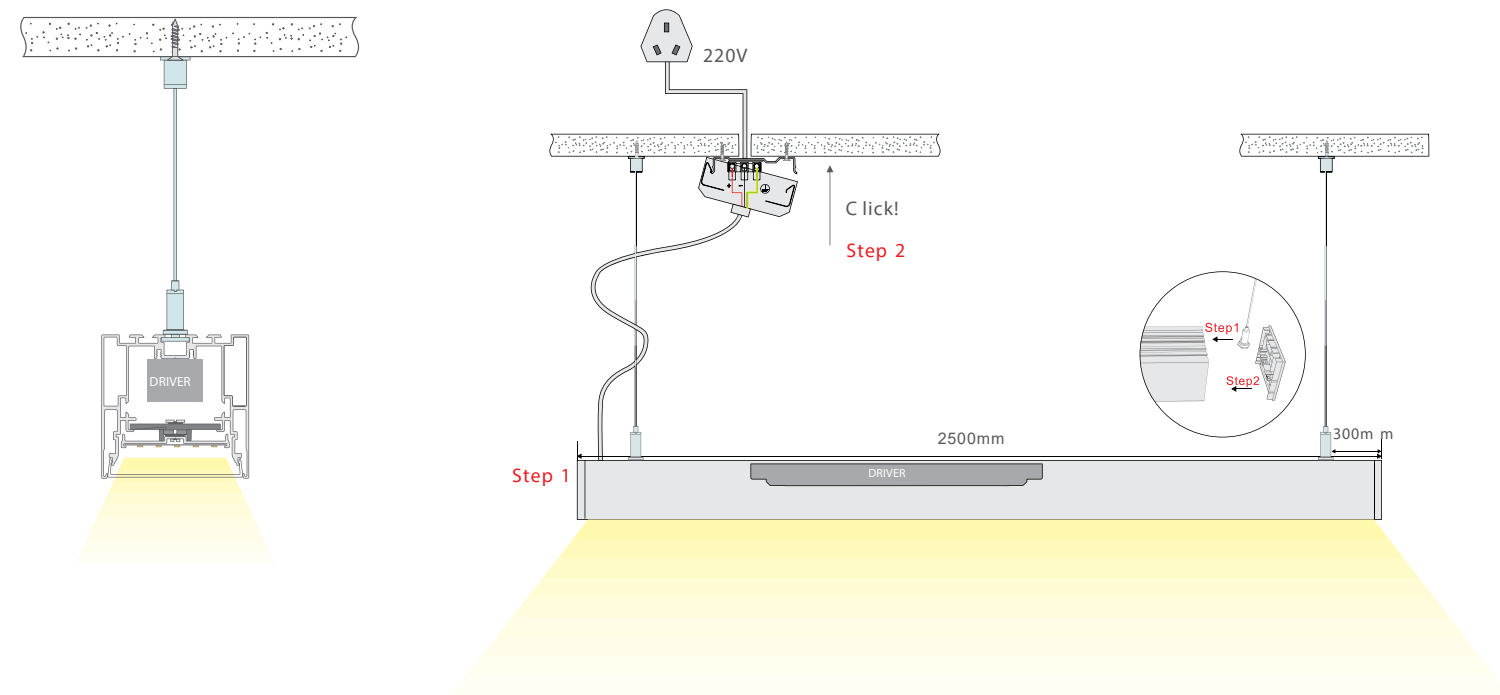
Chain GLS Series Installation

Pendant Diagram



Step1: Main body installation: profile + driver + LED + cover + end cap

Step2: Installation of canopy



Recessed Diagram

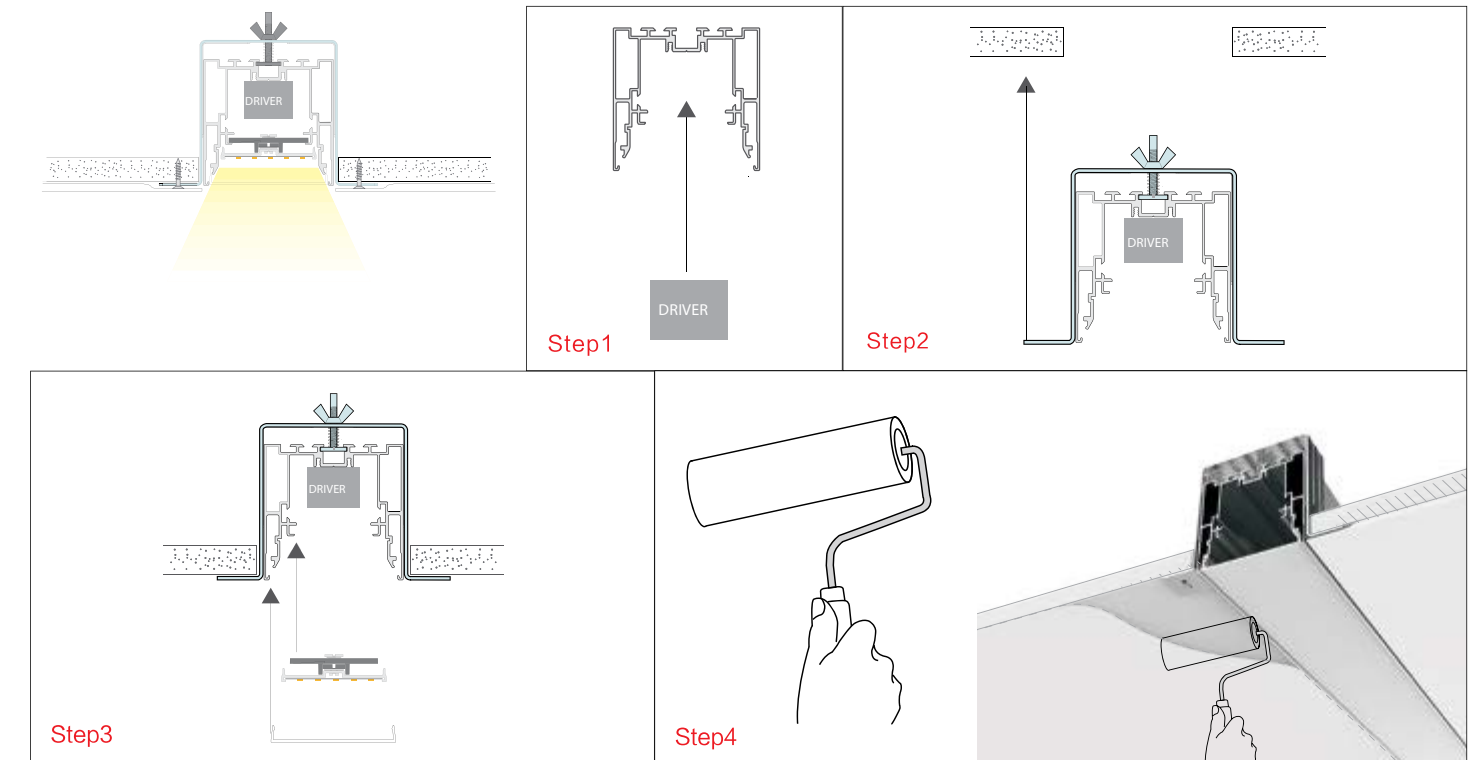


Step1: Installation of main profile + driver + end cap

Step2: Embedded installation

Step3: Install light source + cover

Step4: Paint

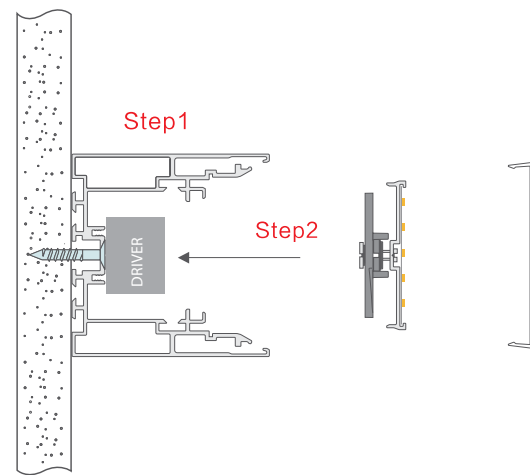
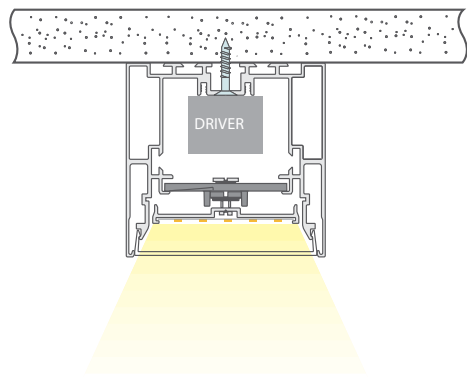


Surface Mounted / Wall Mounted Diagram



Step1: Profile fixed: profile + driver + end cap

Step2: Install LED + cover



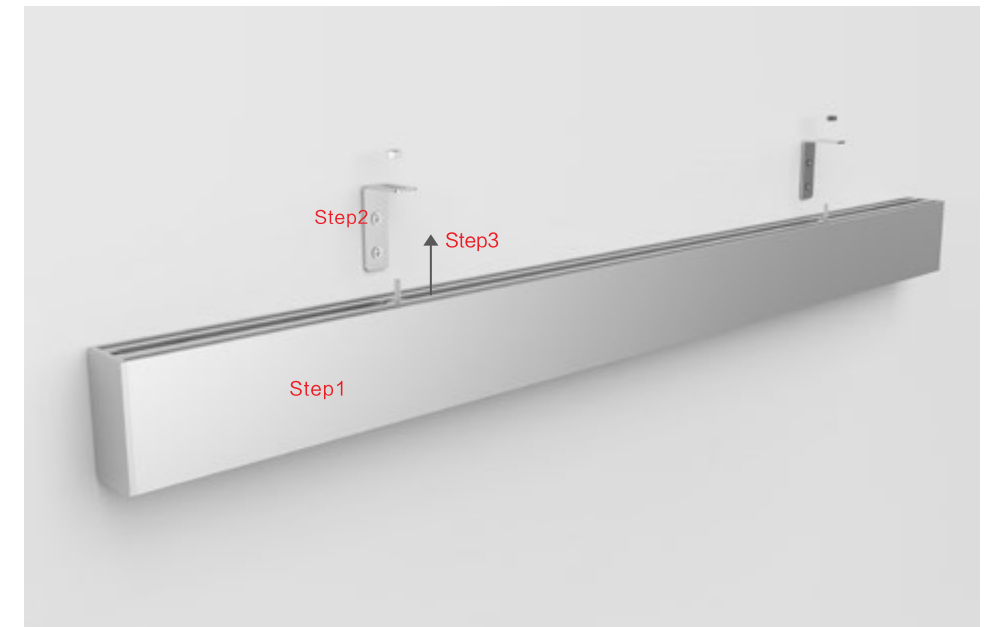
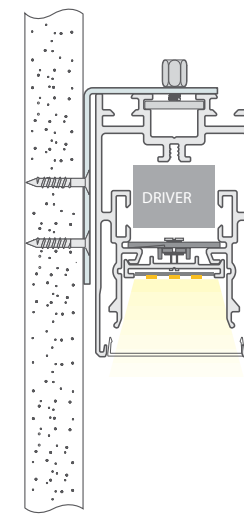
Wall Mounted Diagram



Step1: Body installation; Profile + driver + LED + end cap + cover

Step2: Fixed roof/wall hanging clamp

Step3: Install profile body



Chain Series Accessories Installation

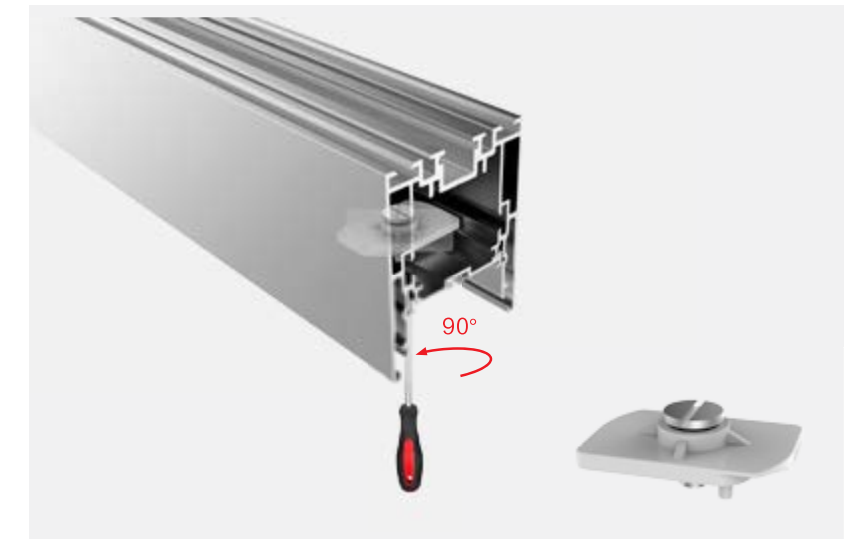
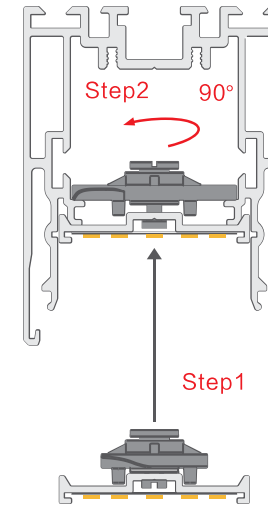
End Cap Component Installation Diagram

- Step1: install the end cap
- Step2: install the cover
- Step3: plug a small sub-mounting



Buckle Diagram

- Step1: Stick the strip on the carrier
- Step2: Rotate 90 ° clamping

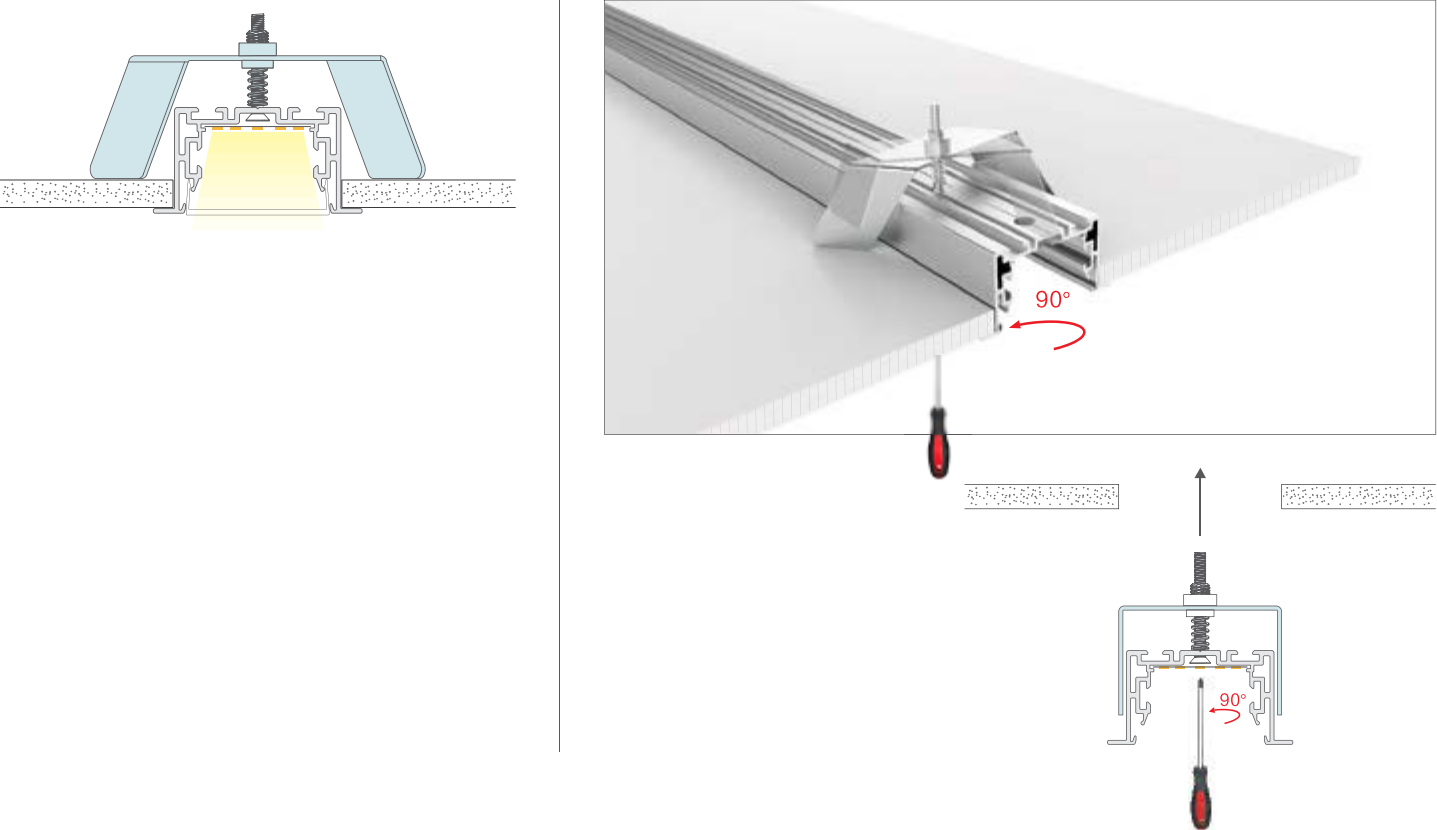


Chain GLE Series Installation

Recessed Schematic diagram



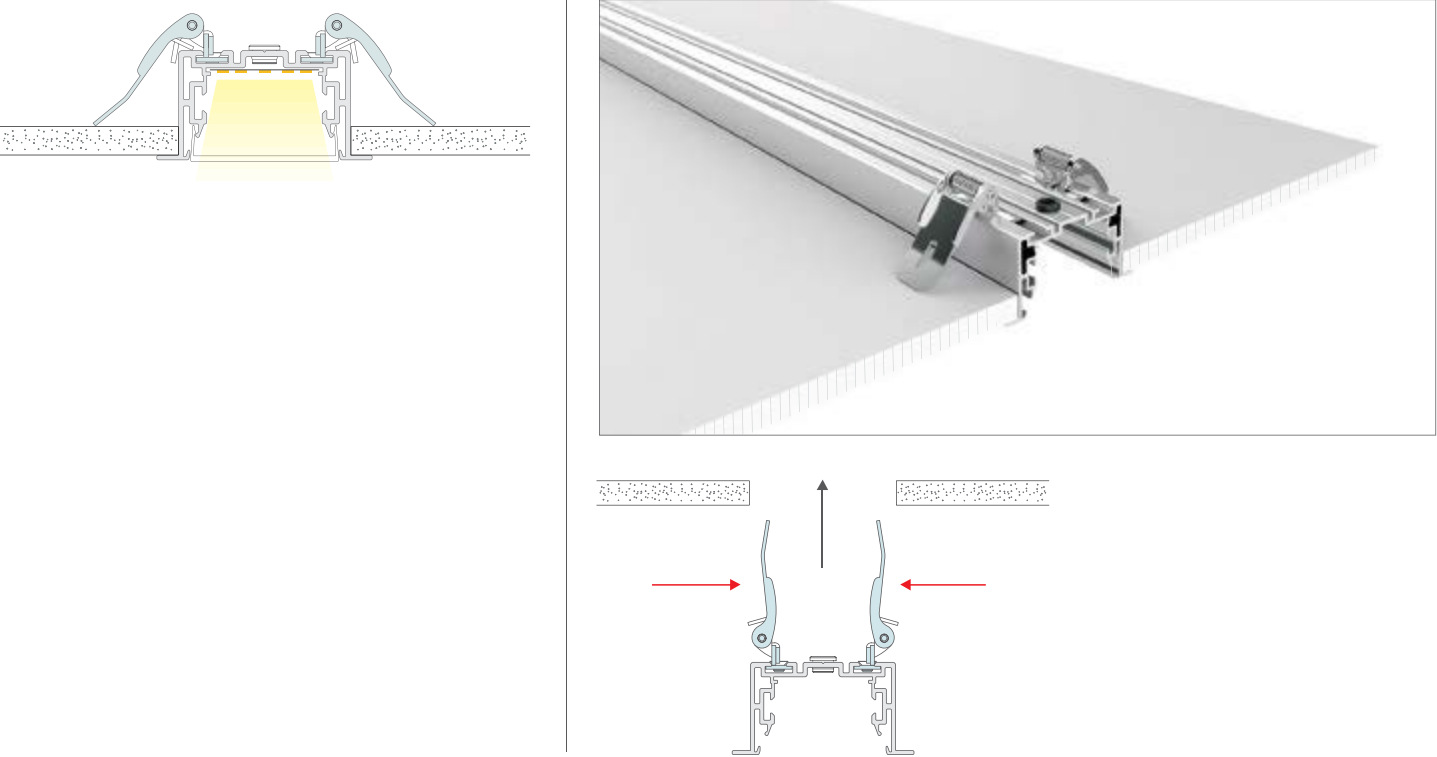
Step1: "LEXXX-RN" type Clip set to profile body
Step2: 90 ° rotation pressing button on profile



Recessed Schematic diagram



Step1: "LEXXX-RB" type Clip set to profile body
Step2: Push the body up, stuck with the wall

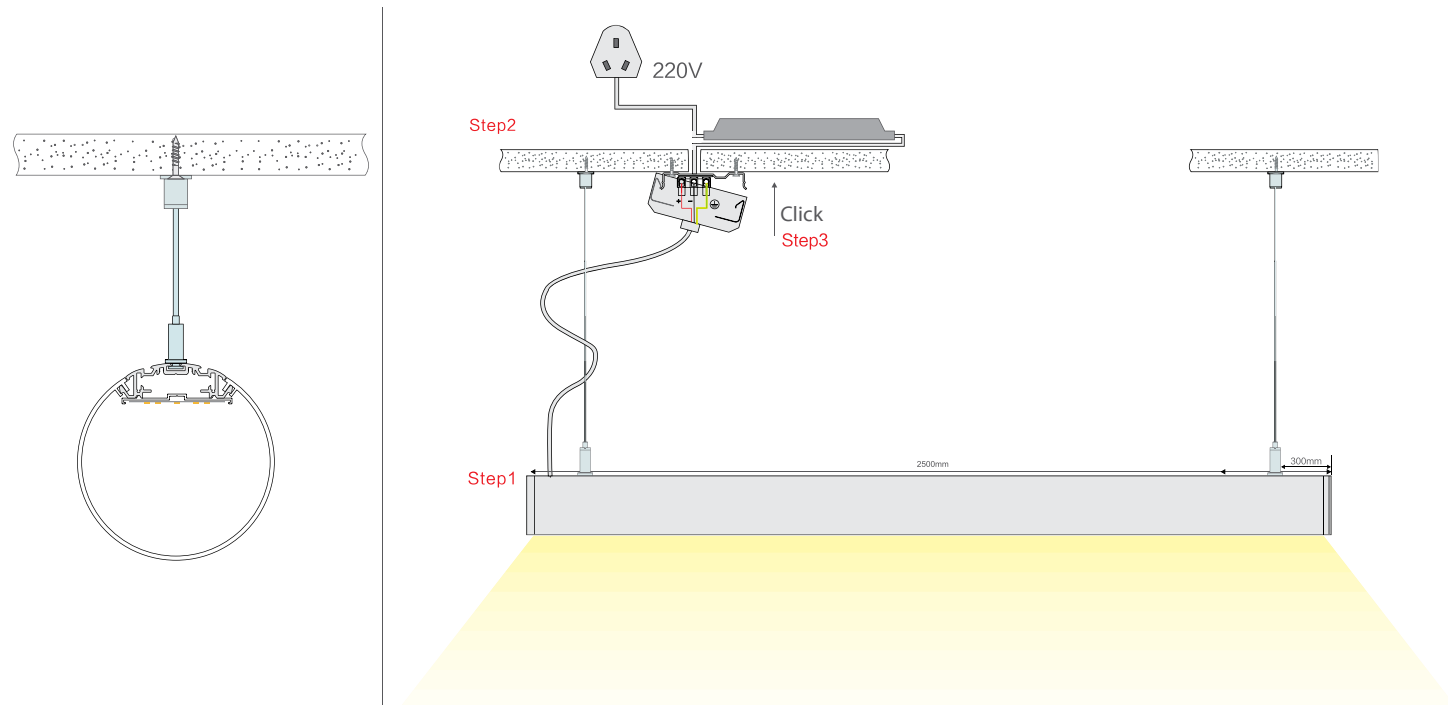


Chain GLT Series Installation

Pendant Diagram



- Step1: Main body installation: profile + driver + LED + end cap + cover
- Step2: Hanging wire positioning
- Step3: Install canopy



Surface Mounted Diagram



- Step1: Main body installation: profile + driver + end cap
- Step2: Install LED + cover

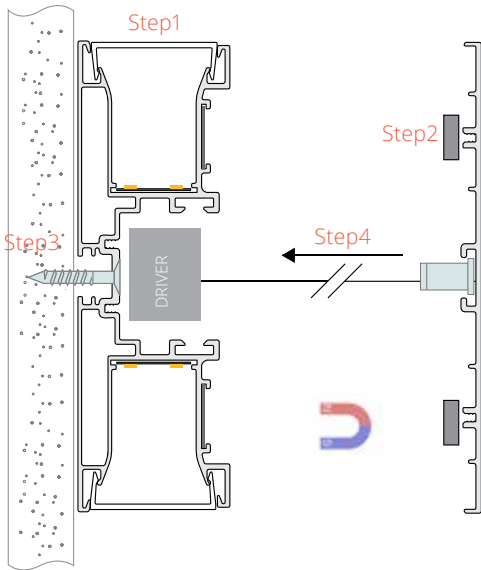
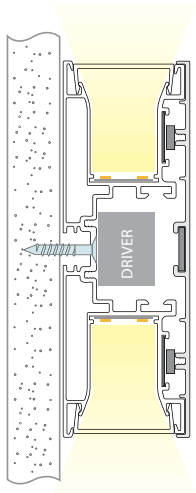


Chain GLC Series Installation

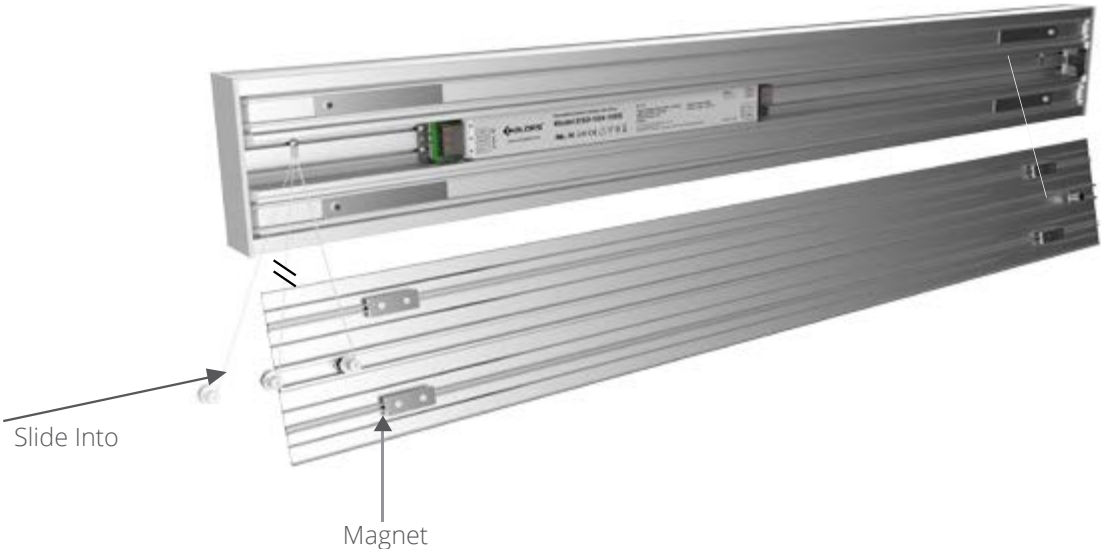
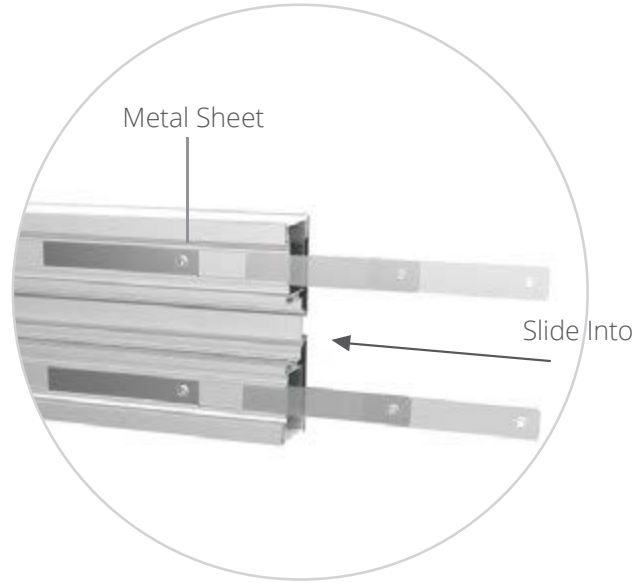
Surface Mounted / Wall Mounted Diagram



- Step1: Main body installation: Profile + driver + LED + cover
- Step2: Magnet wire hanging installation kit+pedant wire
- Step3: Fixed profile body
- Step4: Install the cover







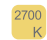
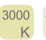

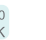

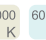
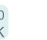



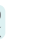



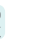






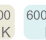



Step2



Chain SERIES ACCESSORIES

PCB LED

	GDY8280-17	GDY8280-23	GDY8280-36	GDY8420-55	GDY8420-62	GDY8560-88
						
Color temperature	   	   	   	   	   	   
Color Rendering Index	>80, >90	>80, >90	>80, >90	>80, >90	>80, >90	>80, >90
Lumen output / meter	2550lm	2550lm	3100lm	3700lm	3700lm	4800lm
Voltage input	24V	24V	24V	24V	24V	24V
Power/meter	20W	20W	25W	30W	30W	40W
Waterproof grade	IP33	IP33	IP33	IP33	IP33	IP33
Size	2500*15*1.7mm	2500*20*1.7mm	2500*34*1.7mm	2500*52*1.7mm	2500*59*1.7mm	2500*85*1.7mm
LEDs / meter	280LEDs	280LEDs	280LEDs	420LEDs	420LEDs	560LEDs
Cutting unit	50mm(14LED)	50mm(14LED)	50mm(14LED)	50mm(21LED)	50mm(21LED)	50mm(28LED)

FPC LED



	GD8280-15	GD8280-20	GD8280-34	GD8420-52	GD8420-59	GD8560-85	GD3120	GD898	GD8196	GD8252	GD8350
Color temperature											
Color Rendering Index	>80, >90	>80, >90	>80, >90	>80, >90	>80, >90	>80, >90	>80, >90	>80, >90	>80, >90	>80, >90	>80, >90
Lumen output / meter	2550lm	2550lm	3100lm	3700lm	3700lm	4800lm	750lm	1350lm	2570lm	3260lm	4200lm
Voltage input	24V	24V	24V	24V	24V	24V	12V	24V	24V	24V	24V
Power/meter	20W	20W	25W	30W	30W	40W	8.7W	11W	21W	27W	36W
Waterproof grade	IP33	IP33	IP33	IP33	IP33	IP33	IP33/NANO	IP33/IP55/NANO	IP33	IP33	IP33
Size	2500*15*1.7mm	2500*20*1.7mm	2500*34*1.7mm	2500*52*1.7mm	2500*59*1.7mm	2500*85*1.7mm	5000*5*1.8mm	5000*8*1.5mm	5000*15*1.5mm	2500*19*1.5mm	2500*58*1.5mm
LEDs / meter	280LEDs	280LEDs	280LEDs	420LEDs	420LEDs	560LEDs	120LEDs	98LEDs	196LEDs	252LEDs	350LEDs
Cutting unit	50mm(14LED)	50mm(14LED)	50mm(14LED)	50mm(21LED)	50mm(21LED)	50mm(28LED)	25mm(3LED)	71mm(7LED)	71mm(14LED)	83mm(21LED)	100mm(35LED)





DRIVER

3 in 1 dimming



- Fixed the low frequency stroboscopic, smoother the dimming curve
- Over load protection, short circuits protection and Self-recovery
- Wild range Ta, up to Tc 85
- Mini – long design, flexible in the narrow application



GESD-V24-025S

GESD-V24-065S

GESD-V24-100S



Dimming Mode	0-10VDC, PWM, Resistance	0-10VDC, PWM, Resistance	0-10VDC, PWM, Resistance
Voltage input	100-277VAC 50-60Hz	100-277VAC 50-60Hz	100-277VAC 50-60Hz
Current input	0.35A Max	1.0A Max	1.6A Max
Voltage output	24VDC	24VDC	24VDC
Current output	1050mA	2800mA	4100mA
Power	25W	65W	100W
Power factor	0.9	0.9	0.9
Efficacy	85% Max	90% Max	92% Max
Size	330*21*20mm	363*34.5*22.5mm	390*38*28.5MM



Chain Series LED Linear Light



Home Lighting



Commercial Lighting



Office Lighting



Industrial Lighting

