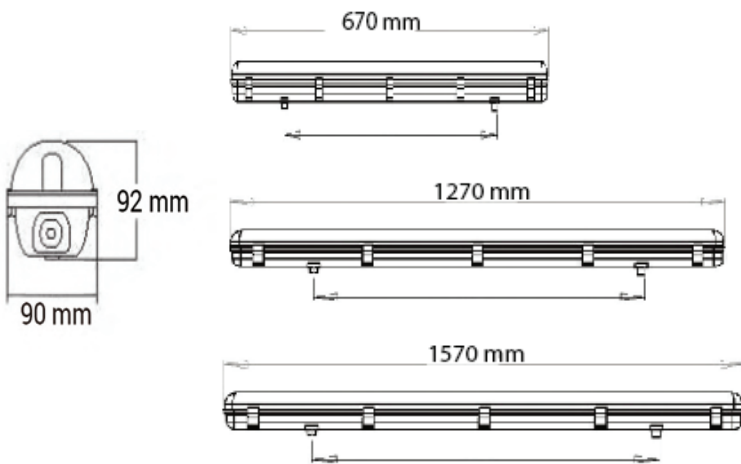




**greenlux**  
cost reduction LED lighting

# Chamber TUBE Series **Single** LED T8 Parking Fixture

Available in Common, Sensor, Emergency, Sensor & Emergency



- Replaces traditional T8 Fixture
- Available in Common, Sensor, Emergency and Emergency/Sensor
- Easy installation and maintenance
  - Diffuser permanently attached by 2 clips
  - 2 x 6mm terminal blocks, middle and ends
  - 2.5A wire connecting all two terminal blocks
  - Gear tray restraints for easy maintenance
  - Ceiling, wall or suspension mounting with optional mounting brackets
  - Multiple drill-out conduit entry points, middle and ends
- High light output 1350/1750/2385lms
- High quality LED Chipset SMD 2835
- Polycarbonate body and diffuser, vandal resistant
- Stainless steel clips, tamper resistant
- IP65 Rated
- 5 Years Warranty
- Applications include carparks, hallways, utility areas, food preparation areas, including outdoor locations

## Dimensions

Product Dimensions (mm)	670*90*92 (LxWxH)	1270*90*92 (LxWxH)	1570*90*92 (LxWxH)

Housing Materials	ABS Base & PC Diffuser

## Certification and Safety

Certifications	IP65, VEEC, IPART, CE, RoHS, SAA, RCM
Environment	Indoor & Outdoor Location
Warranty	5 years





**greenlux**  
cost reduction LED lighting

# Chamber TUBE Series **Single** LED T8 Parking Fixture

## Specifications

<b>Colour Range</b>	3000-6000k
<b>Power Consumption</b>	14W/18W/25W
<b>Lumens</b>	1350/1750/2385lm
<b>Chipset</b>	LED SMD 2835
<b>Input Voltage</b>	100-240V AC
<b>Driver Output Voltage</b>	DC 36V
<b>Driver Output Current</b>	300mA~315mA 460mA~510mA 620mA~640mA
<b>Beam angle</b>	110°
<b>Ra</b>	80
<b>PF</b>	>0.9
<b>IP Rating</b>	IP65

## Emergency

<b>Type</b>	Self-test (Monthly)
<b>Battery (Rechargeable)</b>	9.6V 1.2AH Ni-MH
<b>Emergency Standard</b>	AS 2293
<b>Emergency Output</b>	30% nominal power
<b>Emergency Duration</b>	>90 Minutes
<b>Charge Time</b>	<12 Hours
<b>LED indication</b>	Red: charging; Green: fully charged; Yellow: battery fault or disconnected
<b>Test button</b>	AC power on: Push and hold the button to enter emergency mode; release button to come back AC power mode



## Microwave Sensor

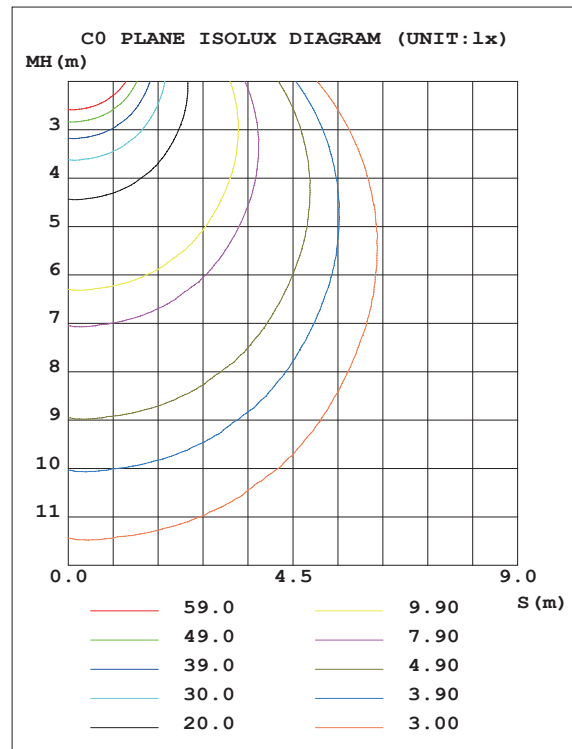
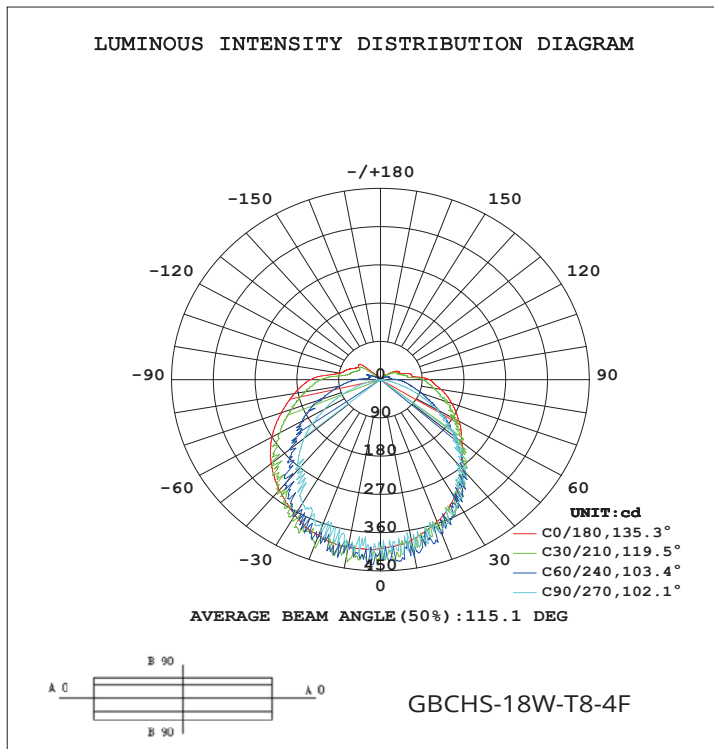
<b>Sensor Range</b>	180 degree; 1 - 8M (adjustable)
<b>Sensing Interval</b>	10s to 5min max (adjustable)
<b>Sensing interval output</b>	20% light output at standby
<b>Detection Angle</b>	360 degree
<b>Input Voltage</b>	12V DC
<b>Output Power</b>	5V DC
<b>HF System</b>	5.8Hz+/-75MHz CW Radar ISM band



**greenlux**  
cost reduction LED lighting

# Chamber TUBE Series **Single** LED T8 Parking Fixture

## Photometrics



Model	Power	Size	Voltage	LED	CCT	Lumens	Function
GBCHS-14W-T8-2F	14W	670x90x92mm	AC 100-240V	2835 LED	3000-6000K	1350lms	Common, Sensor, Emergency, Sensor & Emergency
GBCHS-18W-T8-4F	18W	1270x90x92mm	AC 100-240V	2835 LED	3000-6000K	1750lms	Common, Sensor, Emergency, Sensor & Emergency
GBCHS-25W-T8-5F	25W	1570x90x92mm	AC 100-240V	2835 LED	3000-6000K	2385lms	Common, Sensor, Emergency, Sensor & Emergency

