

LED Batten Catalogue



Contents

LED BATTEN



Chamber Series PCB



Chamber Series Tube



Tempest Series Strip

BULKHEADS



Quest Series Bulkhead 390



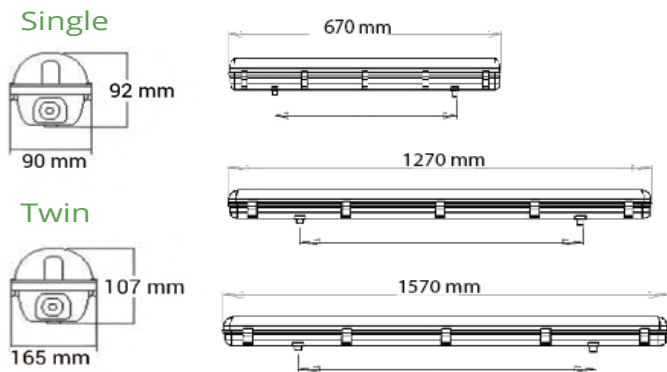
Quantum Series



Pearl Series



Chamber PCB Series LED Batten



Replaces traditional T8 Fluorescent Linear Fixture

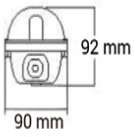
- Available in Common, Sensor, Emergency, Emergency/Sensor
- Diffuser permanently attached by 2 clips
- 2 x 6mm terminal blocks, middle and one end
- 2.5A wire connecting the two terminal blocks
- Gear tray restraints for easy installation
- Multiple mounting options
- Multiple drill-out conduit entry points, middle and end

- High light output 1350~4750lms
- High quality LED Chipset SMD 2835
- Polycarbonate body and diffuser, vandal resistant
- Stainless steel clips, tamper resistant
- IP65 Rated
- 5 Year Warranty

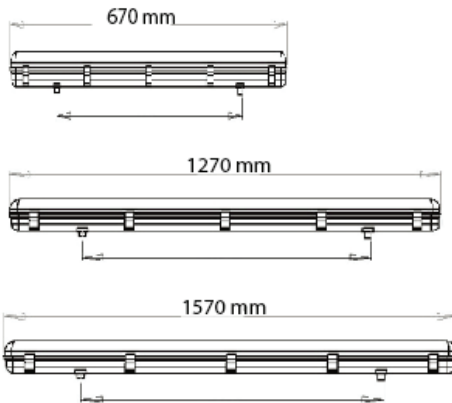
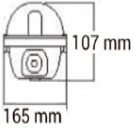
Model#	Description	Lumen Output (lm)		Rated Power (W)	
		Full Light (lm)	Full Light	Standby Light	Standby Light
GBCHS-14W-PCB2FC	600mm Standard Single	1350	14W	N/A	
GBCHT-20W-PCB2FC	600mm Standard Twin	1900	20W	N/A	
GBCHS-14W-PCB2FS	600mm With MW Sensor Single	1350	14W	3W	
GBCHT-20W-PCB2FS	600mm With MW Sensor Twin	1900	20W	5W	
GBCHS-14W-PCB2FE	600mm Emergency Single	1350	14W	N/A	
GBCHT-20W-PCB2FE	600mm Emergency Twin	1900	20W	N/A	
GBCHS-14W-PCB2FES	600mm Emergency + MW Sensor Single	1350	14W	5W	
GBCHT-20W-PCB2FES	600mm Emergency + MW Sensor Twin	1900	20W	7W	
GBCHS-20W-PCB4FC	1200mm Standard Single	1900	20W	N/A	
GBCHT-40W-PCB4FC	1200mm Standard Twin	3800	40W	N/A	
GBCHS-20W-PCB4FS	1200mm With MW Sensor Single	1900	20W	5W	
GBCHT-40W-PCB4FS	1200mm With MW Sensor Twin	3800	40W	8W	
GBCHS-20W-PCB4FE	1200mm Emergency Single	1900	20W	N/A	
GBCHT-40W-PCB4FE	1200mm Emergency Twin	3800	40W	N/A	
GBCHS-20W-PCB4FES	1200mm Emergency + MW Sensor Single	1900	20W	7W	
GBCHT-40W-PCB4FES	1200mm Emergency + MW Sensor Twin	3800	40W	9W	
GBCHS-25W-PCB5FC	1500mm Standard Single	2385	25W	N/A	
GBCHT-50W-PCB5FC	1500mm Standard Twin	4750	50W	N/A	
GBCHS-25W-PCB5FS	1500mm With MW Sensor Single	2385	25W	6W	
GBCHT-50W-PCB5FS	1500mm With MW Sensor Twin	4750	50W	10W	
GBCHS-25W-PCB5FE	1500mm Emergency Single	2385	25W	N/A	
GBCHT-50W-PCB5FE	1500mm Emergency Twin	4750	50W	N/A	
GBCHS-25W-PCB5FES	1500mm Emergency + MW Sensor Single	2385	25W	8W	
GBCHT-50W-PCB5FES	1500mm Emergency + MW Sensor Twin	4750	50W	12W	

Chamber TUBE Series LED Batten

Single



Twin



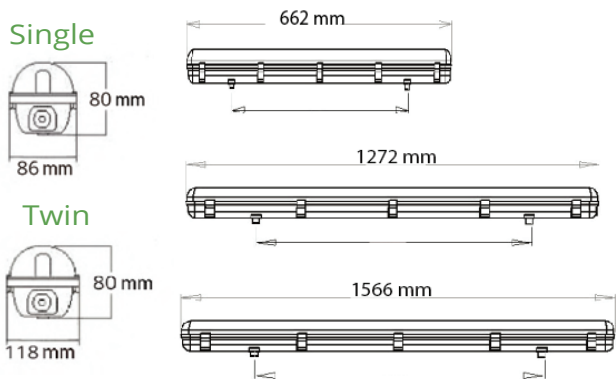
Replaces traditional T8 Fluorescent Linear Fixture

- Available in Common, Sensor, Emergency, Emergency/Sensor
- Diffuser permanently attached by 2 clips
- 2 x 6mm terminal blocks, middle and one end
- 2.5A wire connecting the two terminal blocks
- Gear tray restraints for easy installation
- Multiple mounting options
- Multiple drill-out conduit entry points, middle and end

- High light output 1350~4750lms
- High quality LED Chipset SMD 2835
- Polycarbonate body and diffuser, vandal resistant
- Stainless steel clips, tamper resistant
- IP65 Rated
- 5 Year Warranty

Model#	Description	Lumen Output (lm)		Rated Power (W)	
		Full Light (lm)	Full Light	Standby Light	Standby Light
GBCHS-14W-T82FC	600mm Standard Single	1350	14W	N/A	
GBCHT-20W-T82FC	600mm Standard Twin	1900	20W	N/A	
GBCHS-14W-T82FS	600mm With MW Sensor Single	1350	14W	3W	
GBCHT-20W-T82FS	600mm With MW Sensor Twin	1900	20W	5W	
GBCHS-14W-T82FE	600mm Emergency Single	1350	14W	N/A	
GBCHT-20W-T82FE	600mm Emergency Twin	1900	20W	N/A	
GBCHS-14W-T82FES	600mm Emergency + MW Sensor Single	1350	14W	5W	
GBCHT-20W-T82FES	600mm Emergency + MW Sensor Twin	1900	20W	7W	
GBCHS-18W-T84FC	1200mm Standard Single	1750	18W	N/A	
GBCHT-36W-T84FC	1200mm Standard Twin	3450	36W	N/A	
GBCHS-18W-T84FS	1200mm With MW Sensor Single	1750	18W	5W	
GBCHT-36W-T84FS	1200mm With MW Sensor Twin	3450	36W	8W	
GBCHS-18W-T84FE	1200mm Emergency Single	1750	18W	N/A	
GBCHT-36W-T84FE	1200mm Emergency Twin	3450	36W	N/A	
GBCHS-18W-T84FES	1200mm Emergency + MW Sensor Single	1750	18W	7W	
GBCHT-36W-T84FES	1200mm Emergency + MW Sensor Twin	3450	36W	9W	
GBCHS-25W-T85FC	1500mm Standard Single	2385	25W	N/A	
GBCHT-50W-T85FC	1500mm Standard Twin	4750	50W	N/A	
GBCHS-25W-T85FS	1500mm With MW Sensor Single	2385	25W	6W	
GBCHT-50W-T85FS	1500mm With MW Sensor Twin	4750	50W	10W	
GBCHS-25W-T85FE	1500mm Emergency Single	2385	25W	N/A	
GBCHT-50W-T85FE	1500mm Emergency Twin	4750	50W	N/A	
GBCHS-25W-T85FES	1500mm Emergency + MW Sensor Single	2385	25W	8W	
GBCHT-50W-T85FES	1500mm Emergency + MW Sensor Twin	4750	50W	12W	

Tempest Strip Series LED Batten



Replaces traditional T8 Fluorescent Linear Fixture

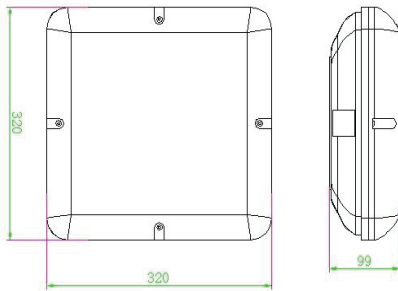
- Available in Common, Sensor, Emergency, Emergency/Sensor
- Diffuser permanently attached by 2 clips
- 2 x 6mm terminal blocks, middle and one end
- 2.5A wire connecting the two terminal blocks
- Gear tray restraints for easy installation
- Multiple mounting options
- Multiple drill-out conduit entry points, middle and end

- High light output 1350~4750lms
- High quality LED Chipset SMD 2835
- Polycarbonate body and diffuser, vandal resistant
- Stainless steel clips, tamper resistant
- IP65 Rated
- 5 Year Warranty

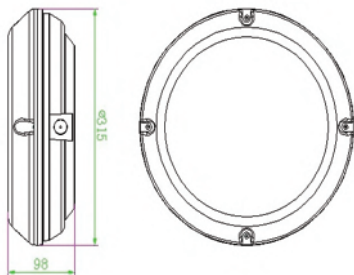
Model#	Description	Lumen Output (lm)		Rated Power (W)	
		Full Light (lm)	Full Light	Standby Light	Standby Light
GBTES-14W-ST2FC	600mm Standard Single	1470	14W	N/A	N/A
GBTET-20W-ST2FC	600mm Standard Twin	2100	20W	N/A	N/A
GBTES-14W-ST2FS	600mm With MW Sensor Single	1470	14W	3W	3W
GBTET-20W-ST2FS	600mm With MW Sensor Twin	2100	20W	5W	5W
GBTES-14W-ST2FE	600mm Emergency Single	1470	14W	N/A	N/A
GBTET-20W-ST2FE	600mm Emergency Twin	2100	20W	N/A	N/A
GBTES-14W-ST2FES	600mm Emergency + MW Sensor Single	1470	14W	5W	5W
GBTET-20W-ST2FES	600mm Emergency + MW Sensor Twin	2100	20W	7W	7W
GBTES-20W-ST4FC	1200mm Standard Single	2100	20W	N/A	N/A
GBTET-36W-ST4FC	1200mm Standard Twin	3780	36W	N/A	N/A
GBTES-20W-ST4FS	1200mm With MW Sensor Single	2100	20W	5W	5W
GBTET-36W-ST4FS	1200mm With MW Sensor Twin	3780	36W	8W	8W
GBTES-20W-ST4FE	1200mm Emergency Single	2100	20W	N/A	N/A
GBTET-36W-ST4FE	1200mm Emergency Twin	3780	36W	N/A	N/A
GBTES-20W-ST4FES	1200mm Emergency + MW Sensor Single	2100	20W	7W	7W
GBTET-36W-ST4FES	1200mm Emergency + MW Sensor Twin	3780	36W	9W	9W
GBTES-25W-ST5FC	1500mm Standard Single	2625	25W	N/A	N/A
GBTET-50W-ST5FC	1500mm Standard Twin	5250	50W	N/A	N/A
GBTES-25W-ST5FS	1500mm With MW Sensor Single	2625	25W	6W	6W
GBTET-50W-ST5FS	1500mm With MW Sensor Twin	5250	50W	10W	10W
GBTES-25W-ST5FE	1500mm Emergency Single	2625	25W	N/A	N/A
GBTET-50W-ST5FE	1500mm Emergency Twin	5250	50W	N/A	N/A
GBTES-25W-ST5FES	1500mm Emergency + MW Sensor Single	2625	25W	8W	8W
GBTET-50W-ST5FES	1500mm Emergency + MW Sensor Twin	5250	50W	12W	12W

Quantum Series LED Bulkhead Emergency & Sensor

Square



Round

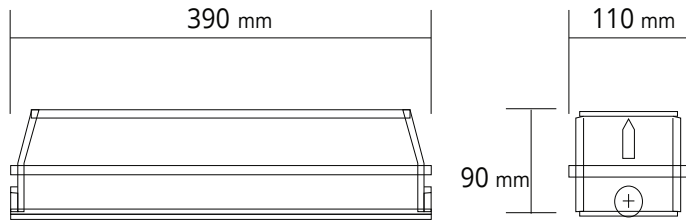


- Available in Common, Sensor, Emergency, or Sensor + Emergency
- Emergency model designed to comply with AS2293 Australian Emergency lighting standards
- SMD LED light source, high bright and soft light
- Superb structure and excellent thermal management
- Built-in converter, automatically switches to battery output during a black out

- Easy change Ni-MH battery
- Test button with LED indicator
- Microwave standby sensor
- High light output 1800~2000lms
- High quality LED Chipset SMD 2835
- Aluminum base + PC cover
- IP65 Rated
- 5 Year Warranty

Model#	Description	Lumen Output (lm) Rated Power (W)		
		Full Light (lm)	Full Light	Standby Light
GBQUA-20W-C	Standard	1800~2000lm	20W	N/A
GBQUA-20W-S	20% Standby Sensor	1800~2000lm	20W	4W
GBQUA-20W-E	3 Hours Emergency	1800~2000lm	20W	N/A
GBQUA-20W-ES	20% Standby Sensor + 3 Hours Emergency	1800~2000lm	20W	7W

Quest Series LED Bulkhead **Emergency & Sensor**



- Available in Common, Sensor, Emergency, or Sensor + Emergency
- Emergency model designed to comply with AS2293 Australian Emergency lighting standards
- SMD LED light source, high bright and soft light
- Superb structure and excellent thermal management
- Built-in converter, automatically switches to battery output during a black out
- Easy change Ni-MH battery
- Test button with LED indicator
- Microwave standby sensor
- High light output 1400~1600lms
- High quality LED Chipset SMD 2835
- Aluminum base + PC cover
- IP65 Rated
- 5 Year Warranty

Model#	Description	Lumen Output (lm)		Rated Power (W)
		Full Light (lm)	Full Light	Standby Light
GBQUE-15W-C	Standard	1400~1600lm	15W	N/A
GBQUE-15W-S	20% Standby Sensor	1400~1600lm	15W	3W
GBQUE-15W-E	3 Hours Emergency	1400~1600lm	15W	N/A
GBQUE-15W-ES	20% Standby Sensor + 3 Hours Emergency	1400~1600lm	15W	5W

Pearl Series LED Oyster Light



- Surface Mounted Ceiling Light, 110° beam angle
- Available in Common, Sensor, Emergency and Emergency & Sensor
- 3 Hours emergency (option available)
- Microwave/ Motion standby sensor:
 - Automaticly dims when detected area is unattended
 - Adjustable range (1-8m), 180 degree
- High light output 1180lms
- High quality LED Chipset SMD
- PC Housing + PC cover
- IP54 Rated
- 3 Year Warranty

Model#	Description	Lumen Output (lm)		Rated Power (W)	
		Full Light (lm)	Full Light	Standby Light	
GBPEA-14W-C	Standard	1180~1280lm	14W	N/A	
GBPEA-14W-S	20% Standby Sensor	1180~1280lm	14W	3W	
GBPEA-14W-E	3 Hours Emergency	1180~1280lm	14W	N/A	
GBPEA-14W-ES	20% Standby Sensor + 3 Hours Emergency	1180~1280lm	14W	5W	

Sensor & Emergency Data

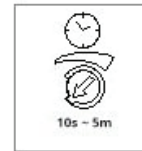
Microwave Sensor

Sensor Range	180 degree; 1 - 8M (adjustable)
Sensing Interval	10s to 5min max (adjustable)
Sensing interval output	20% light output at standby
Detection Angle	360 degree
Input Voltage	12V DC
Output Power	5V DC
HF System	5.8Hz+/-75MHz CW Radar ISM band

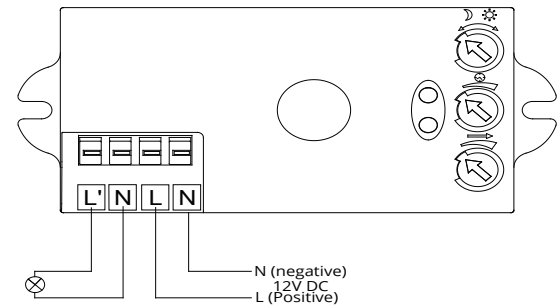
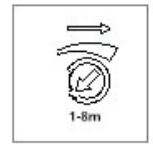
Light-Control (Setting)



Time (Setting)



Detection Area (Setting)



Emergency

Type	Maintained
Battery (High Temp)	9.6V 3.2AH Ni-MH Rechargeable
Emergency Output	18% nominal power
Emergency Duration	>3 Hours
Charge Time	<12Hours
LED indication	Red: charging; Green: fully charged; Yellow: battery fault or disconnected
Test button	AC power on: Push and hold the button to enter emergency mode; release button to come back AC power mode

Red LED ON = Charging

Green LED ON = Fully Charged



TEST BUTTON Pressing the test button will trigger emergency mode switching LED supply from mains to battery. As soon as the button is released the light will switch back to the mains supply.

Yellow LED On = Faulty

If neither the green nor the red LED is on, check the mains wiring and ensure that the green indicator cable is connected in the correct polarity.

VEET

IPART

RCM

SAA

IES

TUV

CE

5 Yrs
Warranty



LED Batten Catalogue

GREENLUX

YOUR COST REDUCTION PARTNER

GREENLUX LED LIGHTING has been delivering quality lighting outcomes successfully to commercial sites nationally for the past 9 years. The parent company Innovative Digital Displays Pty Ltd has been trading for over 28 years. We have substantial experience in the manufacture and development of quality commercial LED lighting products. We have our own manufacturing facilities which mean we can deliver high quality product at extremely competitive pricing.



CONTACT US

www.greenlux.com.au
sales@greenlux.com.au
info@greenlux.com.au

MELBOURNE

9/331 Ingles Street, Port Melbourne
VIC 3207 Australia
T 1300 650 625 or +61 3 9646 8331

SYDNEY

Unit 1, 6-8 George Place Artarmon
NSW 2064 Australia
T 1300 650 625

QUEENSLAND

Unit 1, 16 Millaroo Dr Helensvale
Qld, 4212 Australia
T 1300 650 625