



greenlux

LED Linear Light Catalogue

Contents

Chain Series

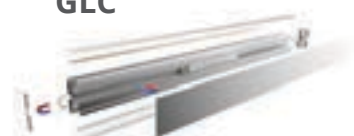
GLS



GLE



GLC



GLG



GLT



Horizon Series

GSHOR

1919 / 1935



4040



4932



7025/8050/10075



Alysum Series

GKALY



Allure Series

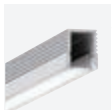
GKALL



Chain Series GLS LED Linear Light



- ① Profile
- ② PC cover
- ③ End cap
- ④ LED
- ⑤ Carrier
- ⑥ Suspending accessories
- ⑦ Driver
- ⑧ Recessed accessories



GLS0709



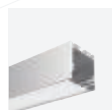
GLS1613



GLS1911K



GLS3360



GLS3535



GLS4067



GLS5470



GLS7977



GLS10570

- Replaces traditional T8 Fixture
- High Quality Aluminum Body and Opal Diffuser
- Soft lighting effect, even distribution of light
- High Lumen Output
- High Quality SMD Chipset
- Suspended, Recessed, Surface Mounted Installation
- Input Voltage 100 ~ 240V AC

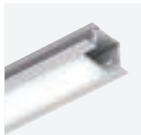
- Size Available(mm): 0709 / 1613 / 1911 / 3360 / 3535 / 4067 / 5470 / 7977 / 10570
- 110° Beam Angle
- CRI >80
- Housing Color options: White/Grey/Black
- IP20 Rated
- 3 Years Warranty



Chain Series GLE LED Recessed Linear Light



- ① Profile
- ② PC cover
- ③ End cap
- ④ LED
- ⑤⑥ Recessed Accessories
- ⑦ Driver



GLE2613



GLE5535



GLE6935



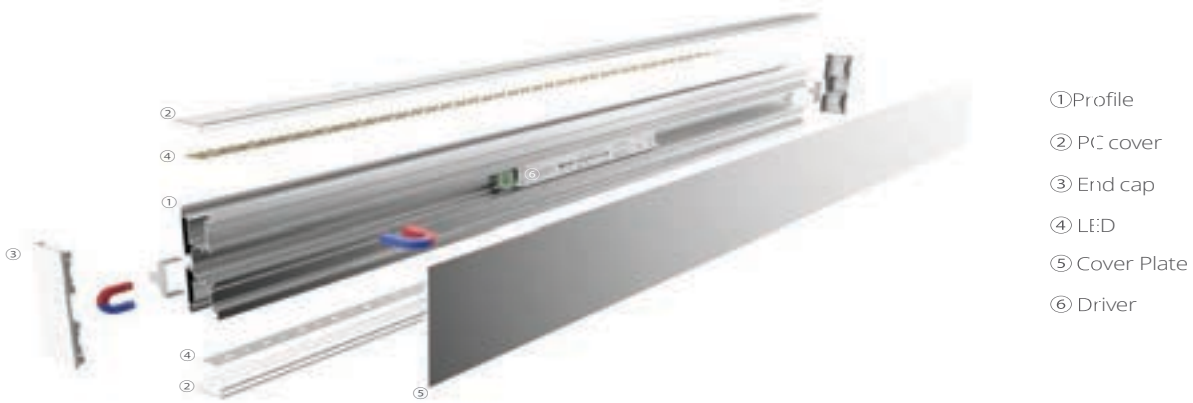
GLE9435

- Replaces traditional T8 Fixture
- High Quality Aluminum Body and Opal Diffuser
- Soft lighting effect, even distribution of light
- High Lumen Output
- High Quality SMD Chipset
- Recessed Installation

- Size Available(mm): 2613 / 5535 / 6935 / 9435
- Input Voltage 100 ~ 240V AC
- 110° Beam Angle
- CRI >80
- Housing Color options: White/Grey/Black
- IP20 Rated
- 3 Years Warranty



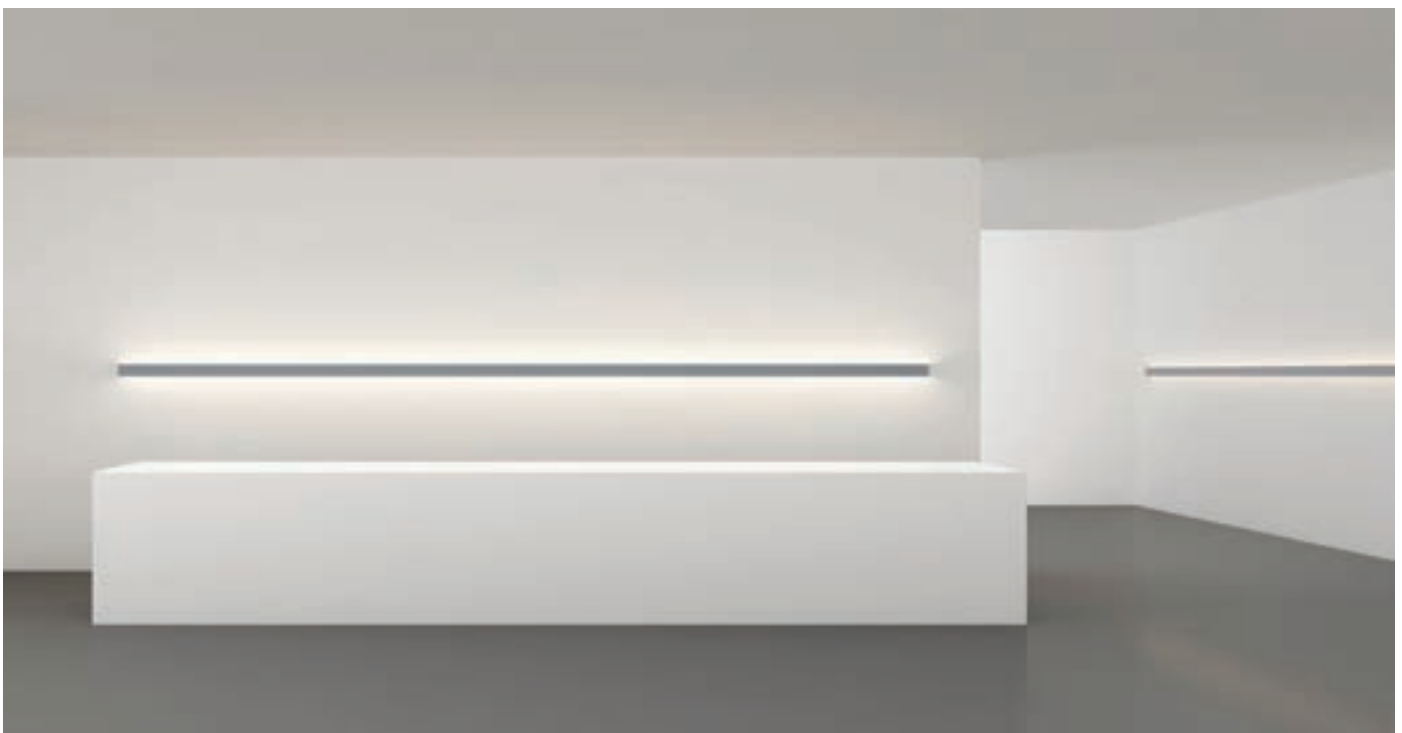
Chain Series **GLC** LED Wall Mounted Linear Light



GLC12843

- Replaces traditional T8 Fixture
- High Quality Aluminum Body and Opal Diffuser
- Soft lighting effect, even distribution of light
- High Lumen Output
- High Quality SMD Chipset
- Recessed Installation

- Size Available(mm): 12843
- Input Voltage 100 ~ 240V AC
- 110° Beam Angle
- CRI >80
- Housing Color options: White/Grey/Black
- IP20 Rated
- 3 Years Warranty



Chain Series **GLG** LED Wall Mounted Linear Light



GLG1515C



GLG3030C

- ① Profile
- ② PC cover
- ③ End cap
- ④ LED
- ⑤ Cover Plate
- ⑥ Driver

- Replaces traditional T8 Fixture
- High Quality Aluminum Body and Opal Diffuser
- Soft lighting effect, even distribution of light
- High Lumen Output
- High Quality SMD Chipset
- Recessed Installation

- Size Available(mm): 1515 / 3030
- Input Voltage 100 ~ 240V AC
- 110° Beam Angle
- CRI >80
- Housing Color options: White/Grey/Black
- IP20 Rated
- 3 Years Warranty



Chain Series **GLT** LED Suspended Linear Light



- ① Profile
- ② PC cover
- ③ End cap
- ④ LED
- ⑤ Suspended accessories



GLT60



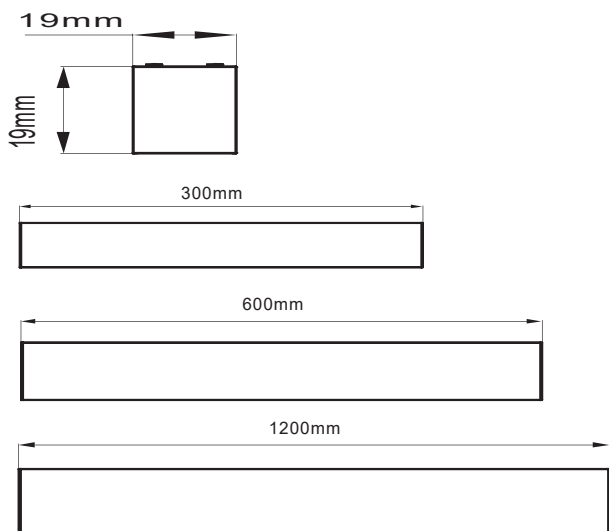
GLT120

- Replaces traditional T8 Fixture
- High Quality Aluminum Body and Opal Diffuser
- Soft lighting effect, even distribution of light
- High Lumen Output
- High Quality SMD Chipset
- Recessed Installation

- Size Available(mm): 60 / 120
- Input Voltage 100 ~ 240V AC
- 110° Beam Angle
- CRI >80
- Housing Color options: White/Grey/Black
- IP20 Rated
- 3 Years Warranty



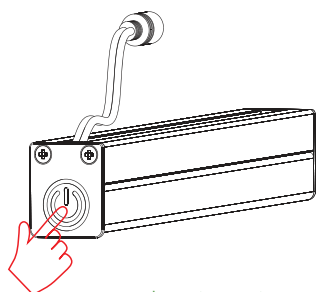
Horizon LED Linear Light 1919



- Replaces traditional T8 Fixture
- Extrusion aluminum lamp body and PC cover
- Soft lighting effect, even distribution of light
- High Lumen Output
- High Quality SMD 2835 Chipset
- Surface mounted and Hanging Installation

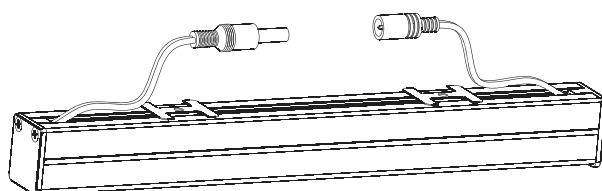
- 110° Beam Angle
- CRI >80
- Housing Color options: White/Grey/Black
- IP40 Rated
- 3 Years Warranty

DC 24V



Touch Dimming

DC 24V



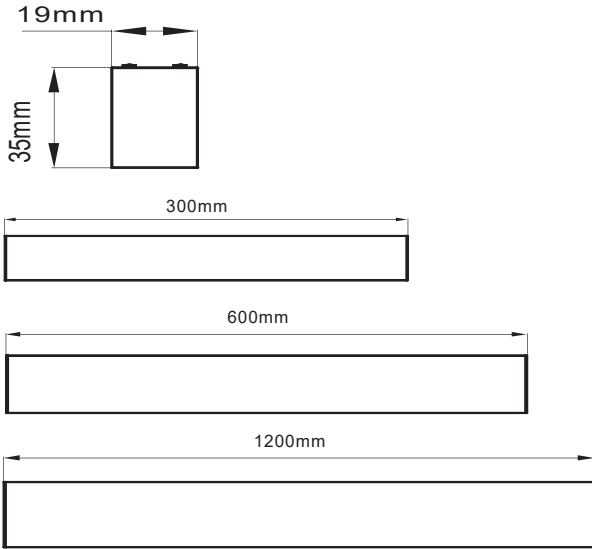
Non Dimmable

How to Dim

Switch Function: Finger touch power on or off;
Dimming Function: 4 seconds to turn the light brighter or darker;
Memory Function: Automatically remember the previous brightness setting.

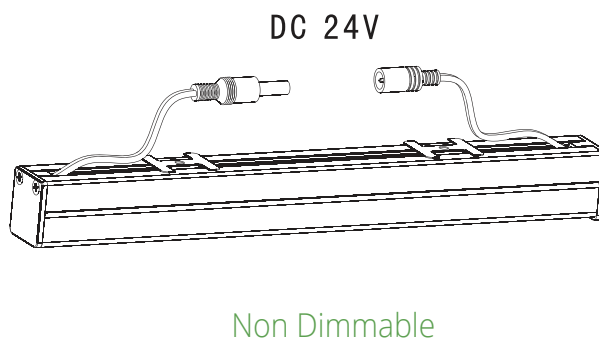
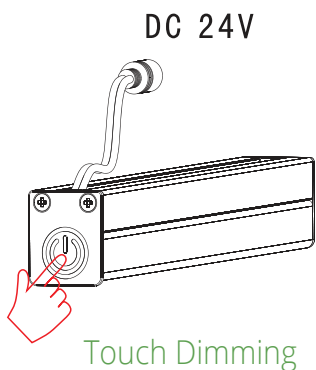
Model	CCT	LED Type	Lumen(lm)	Power	Dimensions(mm)	Voltage(V)
GSHOR-6W-1919-1F	2700-6500K	SMD 2835	501lm	6W	300*19*19	24V DC
GSHOR-12W-1919-2F			1055lm	12W	600*19*19	
GSHOR-24W-1919-4F			2020lm	24W	1200*19*19	

Horizon LED Linear Light 1935



- Replaces traditional T8 Fixture
- Extrusion aluminum lamp body and PC cover
- Soft lighting effect, even distribution of light
- High Lumen Output
- High Quality SMD 2835 Chipset
- Surface mounted and Hanging Installation

- 110° Beam Angle
- CRI >80
- Housing Color options: White/Grey/Black
- IP40 Rated
- 3 Years Warranty

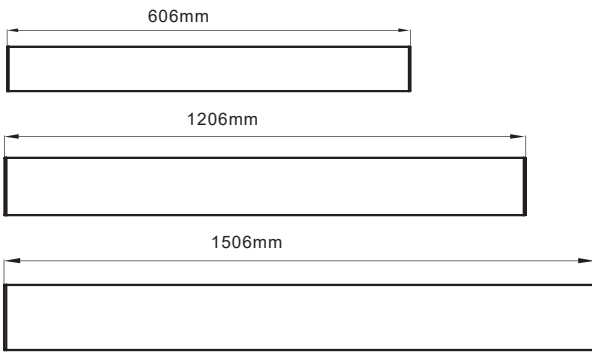
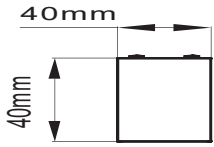


How to Dim

Switch Function: Finger touch power on or off;
Dimming Function: 4 seconds to turn the light brighter or darker;
Memory Function: Automatically remember the previous brightness setting.

Model	CCT	LED Type	Lumen(lm)	Power	Dimensions(mm)	Voltage(V)
GSHOR-6W-1935-1F	2700-6500K	SMD 2835	501lm	6W	300*19*35	24V DC
GSHOR-12W-1935-2F			1055lm	12W	600*19*35	
GSHOR-24W-1935-4F			2020lm	24W	1200*19*35	

Horizon LED Linear Light 4040



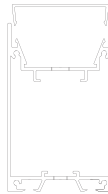
- Replaces traditional T8 Fixture
- Extrusion aluminum lamp body and PC cover
- Soft lighting effect, even distribution of light
- High Lumen Output
- High Quality SMD 2835 Chipset
- Surface mounted and Hanging Installation

- Triac & 0-10V Dimmable Optional
- 110° Beam Angle
- CRI >80
- Housing Color options: White/Grey/Black
- IP40 Rated
- 3 Years Warranty

1.Simple and modern design, screwless at end cap.



2.Extrusion aluminum lamp body and PC cover.

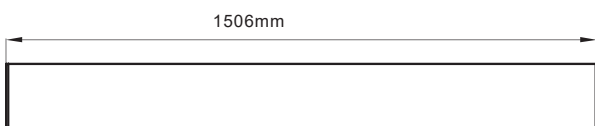
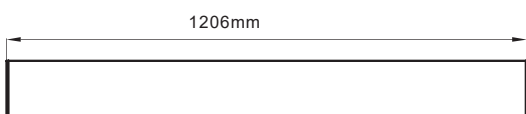
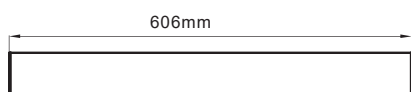
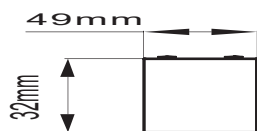


3.Soft lighting effect, even distribution of light.



Model	CCT	LED Type	Lumen(lm)	Power	Dimensions(mm)	Voltage(V)
GSHOR-18W-4040-2F	2700-6500K	SMD 2835	1800lm	18W	600*40*40	100V/240V AC
GSHOR-24W-4040-4F			2400lm	24W	1200*40*40	
GSHOR-36W-4040-5F			3600lm	36W	1500*40*40	

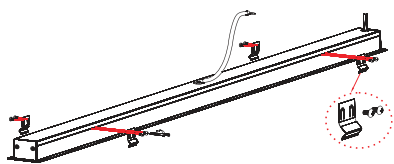
Horizon Recessed LED Linear Light 4932



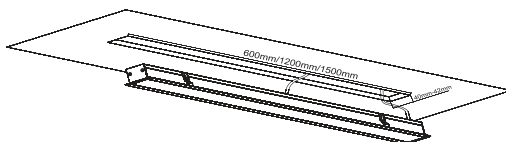
- Replaces traditional T8 Fixture
- Extrusion aluminum lamp body and PC cover
- Soft lighting effect, even distribution of light
- High Lumen Output
- High Quality SMD 2835 Chipset
- Recessed Installation

- Triac & 0-10V Dimmable Optional
- 110° Beam Angle
- CRI >80
- Housing Color options: White/Grey/Black
- IP40 Rated
- 3 Years Warranty

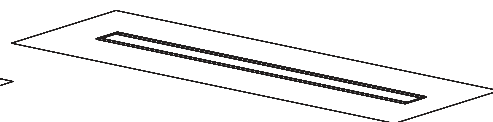
Recessed Installation



①



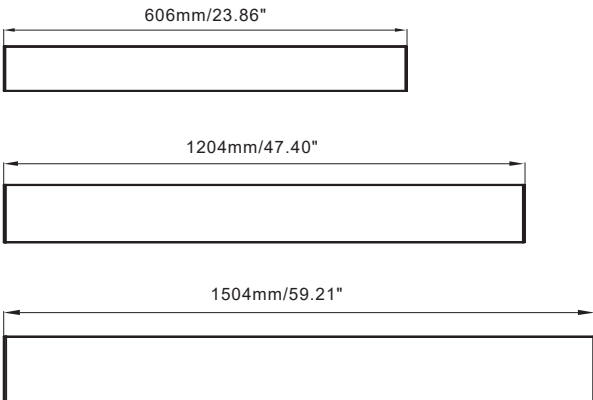
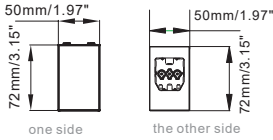
②



③

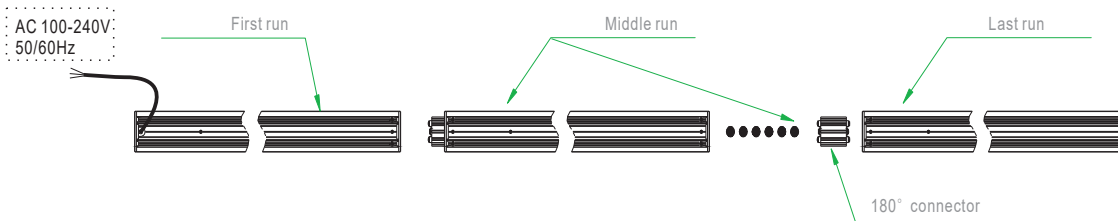
Model	CCT	LED Type	Lumen(lm)	Power	Dimensions(mm)	Voltage(V)
GSHOR-18W-4932-2F	2700-6500K	SMD 2835	1800lm	18W	600*49*32	100V/240V AC
GSHOR-24W-4932-4F			2400lm	24W	1200*49*32	
GSHOR-36W-4932-5F			3600lm	36W	1500*49*32	

Horizon LED Linear Light 7250



- Replaces traditional T8 Fixture
- Extrusion aluminum lamp body and PC cover
- Soft lighting effect, even distribution of light
- High Lumen Output
- High Quality SMD 2835 Chipset
- Surface Mounted, Hanging and Recessed Installation

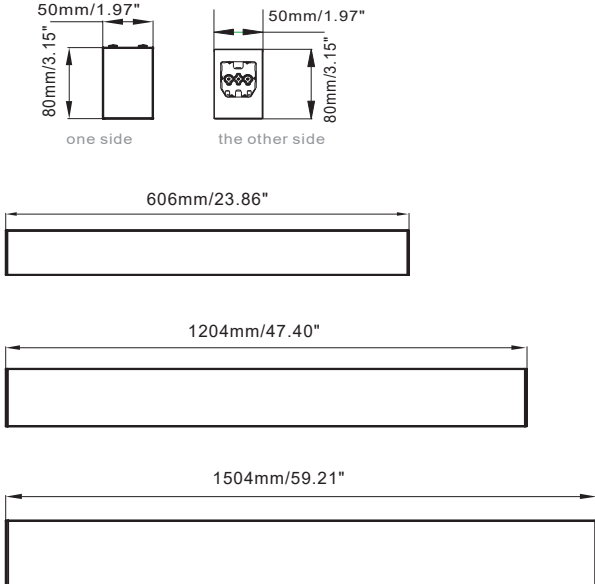
- Triac & 0-10V Dimmable Optional
- 110° Beam Angle
- CRI >80
- Housing Color options: Grey/Black
- IP40 Rated
- 3 Years Warranty



When input voltage is AC110V, the max continuous connection run is 250W;
 When input voltage is AC220V, the max continuous connection run is 550W.

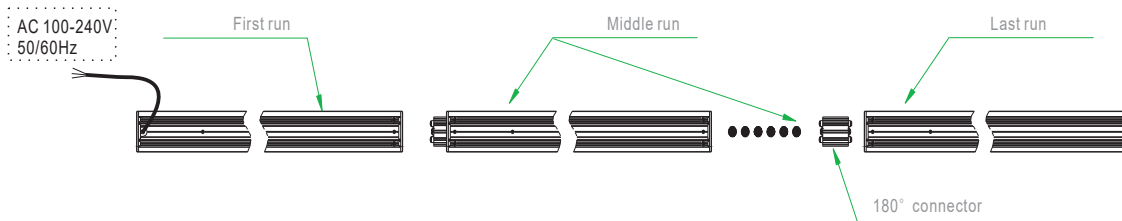
Model	CCT	LED Type	Lumen(lm)	Power	Length(mm)	Voltage(V)
GSHOR-18W-7250-2F	2800-6500K	2835	1500lm	18W	600	AC100-240V
GSHOR-36W-7250-4F			2919lm	36W	1200	
GSHOR-45W-7250-5F			3375lm	45W	1500	

Horizon LED Linear Light 8050



- Replaces traditional T8 Fixture
- Extrusion aluminum lamp body and PC cover
- Soft lighting effect, even distribution of light
- High Lumen Output
- High Quality SMD 2835 Chipset
- Surface Mounted, Hanging and Recessed Installation

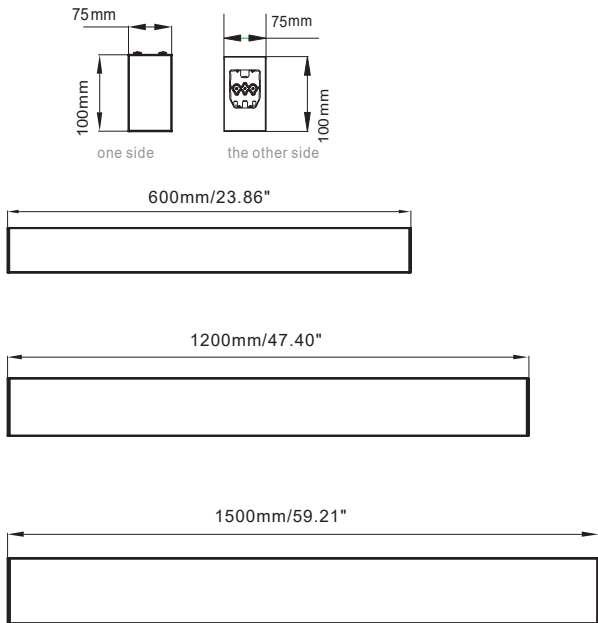
- Triac & 0-10V Dimmable Optional
- 110° Beam Angle
- CRI >80
- Housing Color options: Grey/Black
- IP40 Rated
- 3 Years Warranty



When input voltage is AC110V, the max continuous connection run is 250W;
When input voltage is AC220V, the max continuous connection run is 550W.

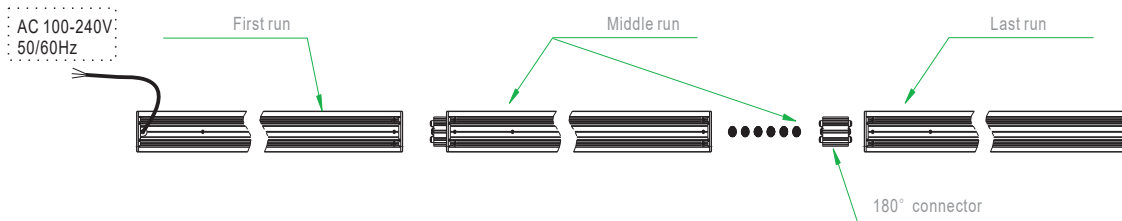
Model	CCT	LED Type	Lumen(lm)	Power	Length(mm)	Voltage(V)
GSHOR-18W-8050-2F	2800-6500K	2835	1800lm	18W	600	AC100-240V
GSHOR-36W-8050-4F			3200lm	36W	1200	
GSHOR-45W-8050-5F			4140lm	45W	1500	

Horizon LED Linear Light 10075



- Replaces traditional T8 Fixture
- Extrusion aluminum lamp body and PC cover
- Soft lighting effect, even distribution of light
- High Lumen Output
- High Quality SMD 2835 Chipset
- Surface Mounted, Hanging and Recessed Installation

- Triac & 0-10V Dimmable Optional
- 110° Beam Angle
- CRI >80
- Housing Color options: Grey/Black
- IP40 Rated
- 3 Years Warranty



When input voltage is AC110V, the max continuous connection run is 250W;
 When input voltage is AC220V, the max continuous connection run is 550W.

Model	CCT	LED Type	Lumen(lm)	Power	Length(mm)	Voltage(V)
GSHOR-20W-10075-2F	2800-6500K	2835	1910lm	20W	600	AC100-240V
GSHOR-40W-10075-4F			3630lm	40W	1200	
GSHOR-50W-10075-5F			4491lm	50W	1500	

Alysum Series LED Linear Light



Pendant Linear Lighting



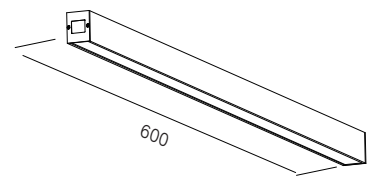
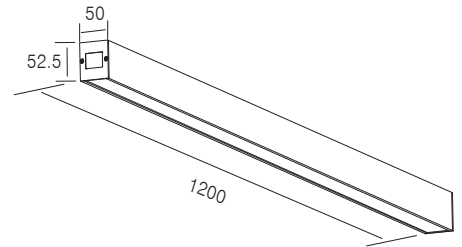
Recessed Linear Lighting



Surface Mounted Linear Lighting



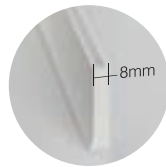
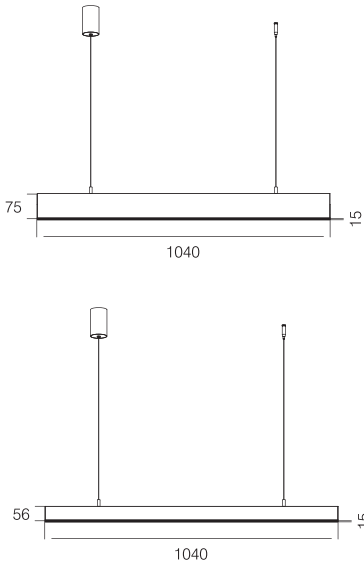
Linear Track Lighting



- Replaces traditional T8 Fixture
- High Quality Aluminum Die-Casting and Opal Diffuser
- Soft lighting effect, even distribution of light
- High Lumen Output
- High Quality SMD Chipset
- Suspended, Recessed, Surface Mounted & Track Installation
- Input Voltage 100 ~ 240V AC
- 110° Beam Angle
- CRI >80
- Housing Color options: Matte White/Grey/Black
- IP20 Rated
- 3 Years Warranty

Model#	Dimensions (mm)	Beam Angle	CCT	Lumens (lm)	Wattage	LED	Dimmer (option)
GKALY-18W-Pendant	600*50*52.5	110°	2700k-6500k	1300	18W	SMD	0-10V
GKALY-36W-Pendant	1200*50*52.5	110°	2700k-6500k	2700	36W	SMD	0-10V
GKALY-18W-Recessed	600*50*52.5	110°	2700k-6500k	1300	18W	SMD	0-10V
GKALY-36W-Recessed	1200*50*52.5	110°	2700k-6500k	2700	36W	SMD	0-10V
GKALY-18W-Surface	600*50*52.5	110°	2700k-6500k	1300	18W	SMD	0-10V
GKALY-36W-Surface	1200*50*52.5	110°	2700k-6500k	2700	36W	SMD	0-10V
GKALY-18W-Track	600*50*52.5	110°	2700k-6500k	1300	18W	SMD	0-10V
GKALY-36W-Track	1200*50*52.5	110°	2700k-6500k	2700	36W	SMD	0-10V

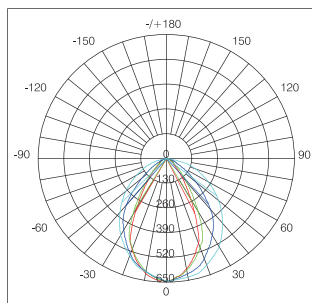
Allure Series **Pendant** LED Linear Light



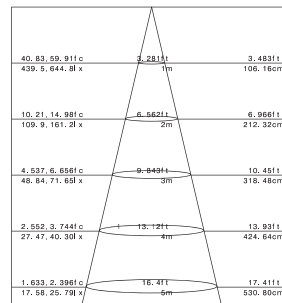
Available in Wall Light

- Replaces traditional T8 Fixture
- High Quality Aluminum Die-Casting and Opal Diffuser
- Soft lighting effect, even distribution of light
- High Lumen Output
- High Quality SMD Chipset
- Suspended Installation

- 76° Beam Angle
- CRI >80
- Housing Color options: Matte White/Grey/Black
- IP20 Rated
- 3 Years Warranty



37W-3000K-76°



Photometric files for other CCT & beam

Model	CCT	LED Type	Lumen(lm)	Power	Dimensions(mm)	Voltage(V)
GKALL-37W-4F-A	2700-6500K	SMD	1180lm	37W	1040*15*75	AC100-240V
GKALL-37W-4F-B			1180lm	37W	1040*15*56	



LED Outdoor Wall Light Catalogue

GREENLUX

YOUR COST REDUCTION PARTNER

GREENLUX LED LIGHTING has been delivering quality lighting outcomes successfully to commercial sites nationally for the past 9 years. The parent company Innovative Digital Displays Pty Ltd has been trading for over 28 years. We have substantial experience in the manufacture and development of quality commercial LED lighting products. We have our own manufacturing facilities which mean we can deliver high quality product at extremely competitive pricing.



CONTACT US

www.greenlux.com.au
sales@greenlux.com.au
info@greenlux.com.au

MELBOURNE

9/331 Ingles Street, Port Melbourne
VIC 3207 Australia
T 1300 650 625 or +61 3 9646 8331

SYDNEY

Unit 1, 6-8 George Place Artarmon
NSW 2064 Australia
T 1300 650 625

QUEENSLAND

Unit 1, 16 Millaroo Dr Helensvale
Qld, 4212 Australia
T 1300 650 625