



Chain GAS35 D1535

LED Linear Downward Light

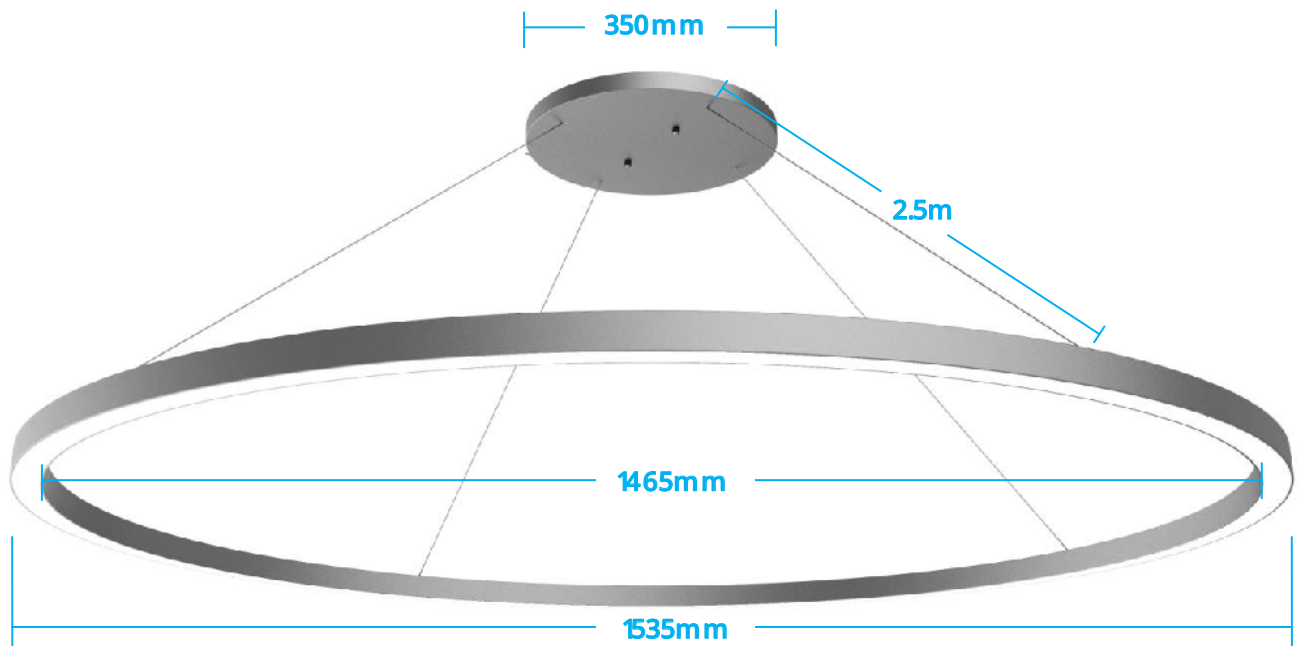


greenlux
cost reduction LED lighting

Chain GAS35 D1535

LED Linear **Downward** Light

GREENLUX CURVE LIGHTING WITH LIMITLESSNESS - GAS35 stylish lighting system, through the sublimation from straight line to curve, transformation from 2D to 3D, linear lighting is brought with a brand -new revolutionary experience. The basic modules can constitute standard circular luminaires with the diameter of 0.8m/1.5m/3.0m for independent application. Multiple light emitting directions are optional: lighting downward, lighting outward and lighting inward. The light emitting modes are optional according to the scenes as well, so as to create different atmospheres.



- Φ 1.5M, circular luminaires of lighting downward;
- High quality surface treatment, three optional colors of black, white and silver;
- Adopt silicone flexible diffuser, producing homogenous & soft lighting;
- Pendant cable and wire in one, beautiful overall effect;
- Two installation ways: pendant and surface mounted.

Chain GAS35 D1535

LED Linear Downward Light

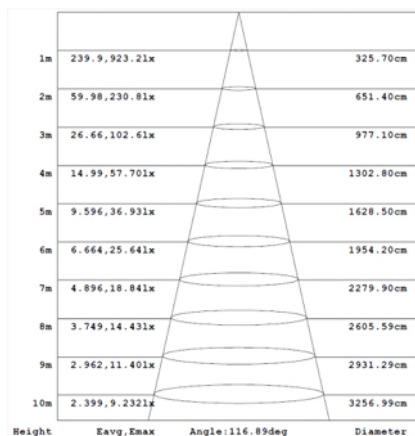
Optical & electronic data

Model	Size	CCT	Flux (lm)	CRI	Beam angle	Input voltage	Dimming	PF	Power (w)
GCCHA-GAS35-D1535-105W (including power supply)	Φ1500mm, lighting downward, 360° luminaires	1900K	2240LM	>80 >90	120°	100~265VAC 50/60Hz	Non-dimmable Dimmable (options)	>0.9	105W
		2300K	2360LM						
		2700K	2480LM						
		3000K	2610LM						
		3500K	2750LM						
		4000K	2890LM						
		5000K	3030LM						
GCCHA-GAS35-D1535-90W (no power supply)	Φ1500mm, lighting downward, 360° luminaires	1900K	2240LM	>80 >90	120°	DC24V	/	/	90W
		2300K	2360LM						
		2700K	2480LM						
		3000K	2610LM						
		3500K	2750LM						
		4000K	2890LM						
		5000K	3030LM						
6000K	2890LM								

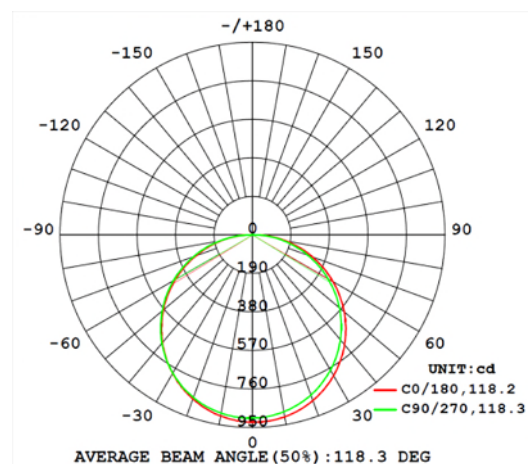
Remark :

- 1、 the tolerance of output data can be vary up to 10%;
- 2、 the output data is typical value;

Luminaire of 1.5m diameter and lighting downward matched with flexible diffuser



AAI FIGURE



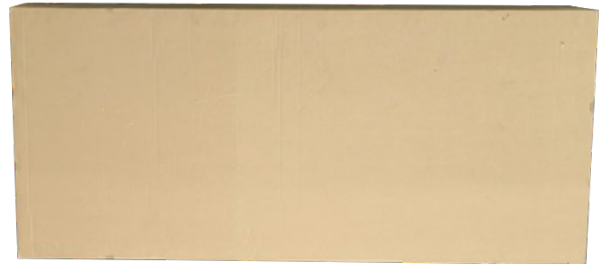
Luminous intensity distribution

Chain GAS35 D1535

LED Linear Downward Light

Packing

The whole package



Model	Type	Demension (individual package)	Pcs/bundle	NW (Kg)	GW (Kg)	Demension (whole package)	CBM (m ³)
GCCHA-GAS35-D1535-105W (pendant / including power supply)	Box	1198*546*110mm	1	5.84	7.73	1198*546*110mm	0.072
GCCHA-GAS35-D1535-90W (pendant / no power supply)				5.67	7.56		
GCCHA-GAS35-D1535-105W (surface mounted / including power supply)				4.84	7.63		
GCCHA-GAS35-D1535-90W (surface mounted / no power supply)				4.67	7.46		