

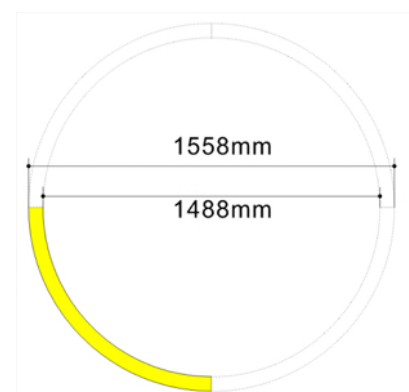
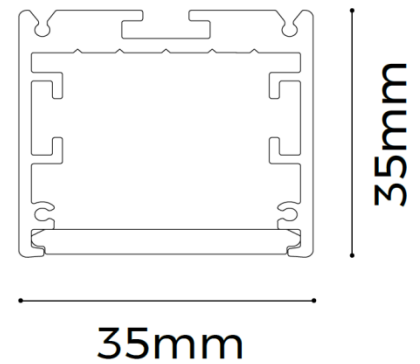
Chain GAS35 D1558

LED Curve & Round Linear Outward Light

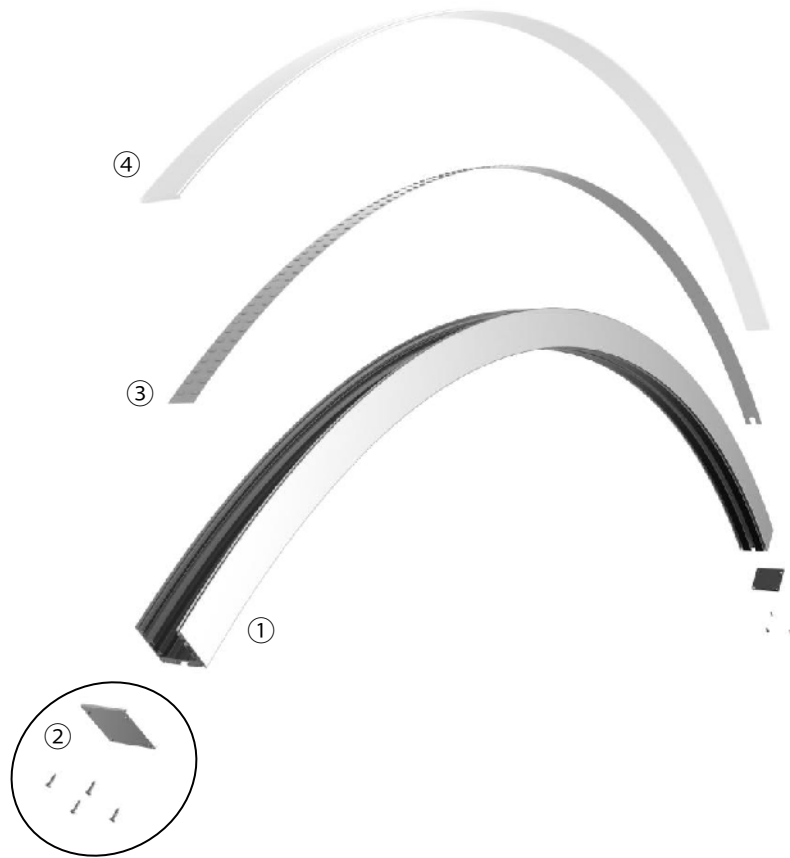


Features

- Ever-changing shapes generated by means of super free application and connections of lines and arcs
- Flexible diffuser making it easy for installation without connections for over length application and light leakage
- AL6063-T5 aluminum profile with high-quality surface treatment and three optional colors of black, white and silver
- Specially designed light source with diffusers producing homogeneous and soft lighting
- Various installation ways: pendant and surface mounted



Details



Optional Accessories

① Profile:

Installation :Pendant/Surface mounted

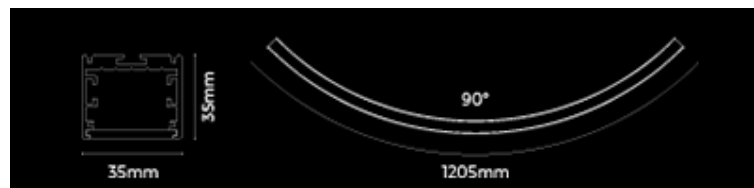
Material : AL6063-T5

Applications: Indoors

Profile weight : 0.97kg/ D1558mm, 90°

Size : 1205x35x35mm, 90° x 4, D1558mm

Surface processing: Spray



② End cap

35*35*1.5mm

AL6061



③ Flexible strip

GCDY8140-24V-20mm










DC24V 7.7W/PCS(400mm) width 20mm Min. cutting unit 100mm



④ Diffuser

L20000mm

Diffuser

	Pendant cable without junction box	Steel cable D1.5*2000/4000mm	
	Power supply	ESD-V24-100S	390*38*28.5mm
	Screw set	M3.5*40mm	AL6061-T5 and Carbon steel
	straight fixed plate	L55*W10*H2mm	SPCC
	AS35-LN fixed plate	L55*W10*H2mm	SPCC Straight&arc interconnection
	AS35-N fixed plate	L55*W10*H2mm	SPCC Inner arc interconnection
	AS35-X fixed plate	L55*W10*H2mm	SPCC
	Headless inner hexagon screw	M5*4mm	
	Flat-head inner hexagon screw	CM5*4mm	

Optical Parameter

Rigid LED Strip Modular & Frosted Diffuser

