

Chain F

GLHF5164

Up/Down

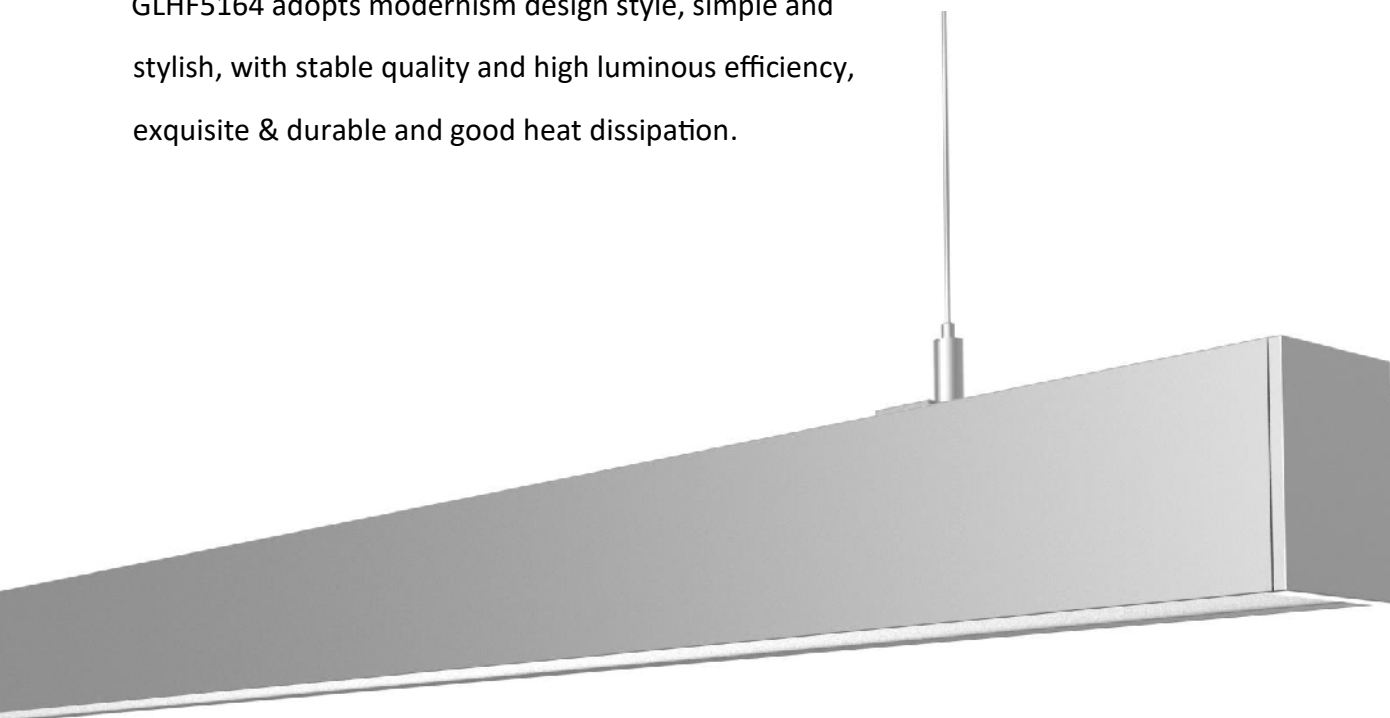


greenlux
cost reduction LED lighting

Chain F LED Linear Light GLHF5164 Up/Down



GLHF5164 adopts modernism design style, simple and stylish, with stable quality and high luminous efficiency, exquisite & durable and good heat dissipation.



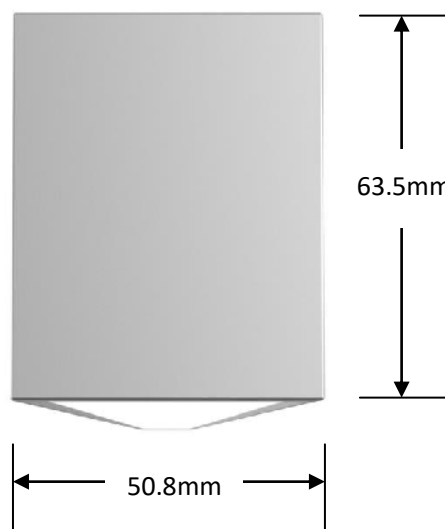
AL6063-T5 aluminum profile with high-quality surface treatment;

Three optional colors of black, white and silver;

Lighting upward and downward, semi-direct lighting;

LM80 certified light source, life >50000H;

Built-in efficient and safe flicker-free dimming power supply;



Chain F LED Linear Light GLHF5164 Up/Down

Optical & electronic data :

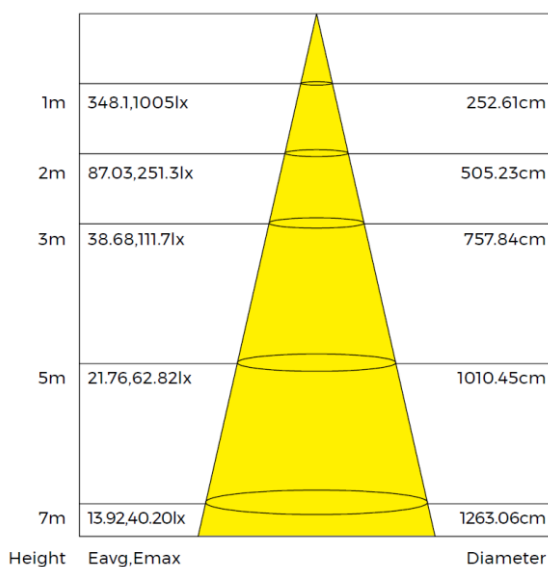
Model	Size	CCT	Flux (lm)	CRI	Beam angle	Input voltage	Dimming	PF	Power (w)	Efficiency (lm/w)
GLHF5164-38W-4F	1152mm	3000K	(up) 500LM (down) 2800LM	>80	(up)65° (down)105°	100~277VAC 50/60Hz	0-10V	>0.9	(up)10W (down)28W	87
		4000K	(up) 600LM (down) 3000LM							95
GLHF5164-55W-6F	1727mm	3000K	(up) 800LM (down) 3800LM	>80	(up)65° (down)105°	100~277VAC 50/60Hz	0-10V	>0.9	(up)15W (down)40W	84
		4000K	(up) 1000LM (down) 4000LM							91
GLHF5164-76W-8F	2507mm	3000K	(up) 1100LM (down) 5400LM	>80	(up)65° (down)105°	100~277VAC 50/60Hz	0-10V	>0.9	(up)20W (down)56W	85
		4000K	(up) 1300LM (down) 5600LM							91

Remark :

- 1、 the output data is based on the testing result of 1.2m luminaires
- 2、 the tolerance of output data can be vary up to 10% ;
- 3、 the output data is typical value;

1.2m luminaire with diffuser

AAI Figure



Luminous intensity distribution diagram

