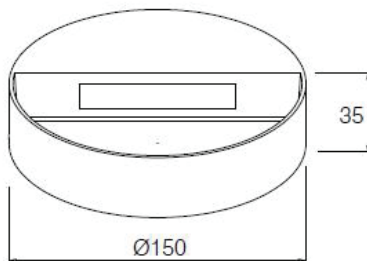
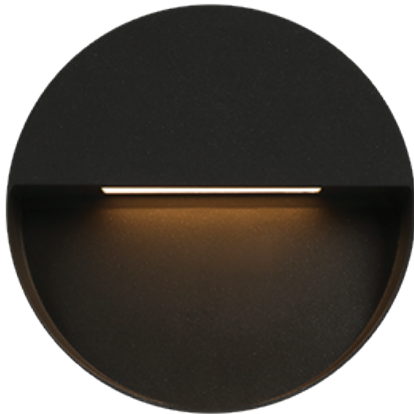


GKLUX-3W-R



## Specification

<b>Product code:</b>	GKLUX-3W-R
<b>Power:</b>	3W
<b>Electric data:</b>	AC 220-240V 50-60Hz
<b>Lumen:</b>	48 lm
<b>CRI:</b>	>80
<b>Color temperature:</b>	3000K
<b>IP class:</b>	IP54
<b>Fixture size:</b>	Ø150*35mm
<b>Installation:</b>	Wall Mounted
<b>LED source:</b>	SMD 2835
<b>Fixture material:</b>	Die Casting Aluminum
<b>Finish:</b>	White / Grey / Black



LM80

3 Yrs  
Warranty

RCM

SAA

IP54

TUV

9/331 Ingles Street  
Port Melbourne VIC 3207 Australia

info@greenlux.com.au  
sales@greenlux.com.au

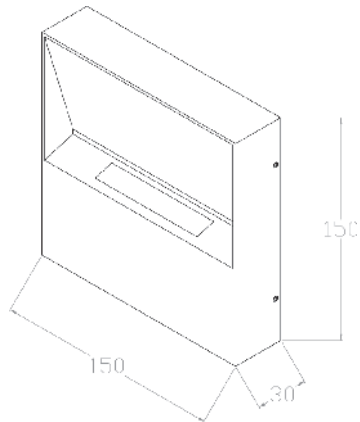
T 1300 650 625  
www.greenlux.com.au

GKLUX-3W-S



## Specification

<b>Product code:</b>	GKLUX-3W-S
<b>Power:</b>	3W
<b>Electric data:</b>	AC 220-240V 50-60Hz
<b>Lumen:</b>	48 lm
<b>CRI:</b>	>80
<b>Color temperature:</b>	3000K
<b>IP class:</b>	IP54
<b>Fixture size:</b>	150*150*30
<b>Installation:</b>	Wall Mounted
<b>LED source:</b>	SMD 2835
<b>Fixture material:</b>	Die Casting Aluminum
<b>Finish:</b>	White / Grey / Black



LM80

3 Yrs  
Warranty

RCM

SAA

IP54

TUV

9/331 Ingles Street  
Port Melbourne VIC 3207 Australia

info@greenlux.com.au  
sales@greenlux.com.au

T 1300 650 625  
www.greenlux.com.au

# Luxon Outdoor

*Architectural  
Lighting*

