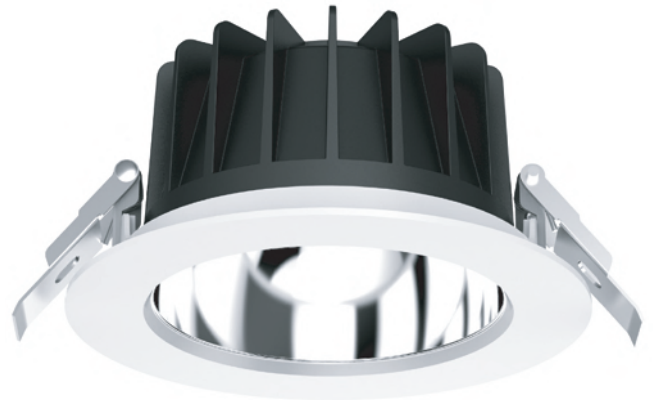


## New Enterprise LED Downlight 3" / 4" / 6" / 8"



- Switch between 3 CCT through slide button (options)
- Optional Dimmable system: Triac / DALI / 0-10V
- Superb dimming effect
- SMD LED chips with high luminous flux
- Die-casting housing provides excellent heat dissipation
- PMMA diffuser to ensure even light output
- Deep recessed reflector
- IP54 Rated
- 3 Years Warranty
- Applications include office, shops, restaurants, schools, hotels. Public areas as stairway, lobby, corridor.



3-CCT in 1 Lamp

Slide switch for color selection



**IES**

**LM80**

**RCM**

**SAA**

**IP54**

**Low UGR**

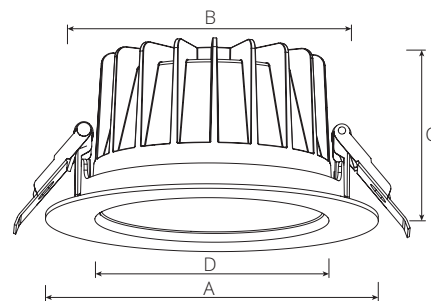
**80°**

**3 Yrs Warranty**

# New Enterprise LED Downlight 3" / 4" / 6" / 8"

## Dimensions

Model	Dimension(mm)				Size(mm)	Product Weight (Kg)	
	A	B	C	D		N.W/PC	G.W/PC
3"-A	95	80	54	63	Ø95*54	0.225	0.305
3"-B	110	86	54	69	Ø110*54	0.265	0.345
4"	145	120	78	102	Ø145*78	0.455	0.555
6"	172	145	90	127	Ø172*90	0.665	0.8
8"	228	195	99	176	Ø228*99	1.08	1.25



## Specifications

Model No.		GUNEN-10W-3	GUNEN-10W-3	GUNEN-13W-3	GUNEN-10W-4	GUNEN-18W-4	GUNEN-25W-4	
Watt(W)		10W		13W	10W	18W	25W	
Dimension(mm)		Ø95*54	Ø110*54		Ø145*78			
Cutout(mm)		Ø82-88	Ø90-95		Ø125-135			
Rated Input Voltage(V)		AC230V						
Input Voltage(V)		AC200-240V						
LED		SMD						
SDCM		<6						
CCT(K)		1-CCT: 3000K / 4000K / 5000K / 5700K    3-CCT: 3000K + 4000K + 5700K						
Luminous Flux (lm) ±5%	1-CCT	Non-DIM	710-800	720-800	930-1040	820-900	1650-1800	2100-2250
		DIM	680-780	700-780	900-1000	800-880	1600-1750	2000-2200
	3-CCT	Non-DIM	710-830	720-870	930-1140	820-900	1650-1950	2100-2250
		DIM	700-800	710-850	900-1100	800-880	1600-1900	2000-2200
CRI		≥80						
Beam Angle (°)		80°						
LED Driver		Built-out						
DIM		Yes						
CCT Selection Switch		Yes						
Protection Class		Class II						
IP Rating		IP20			IP54			
IK Rating		IK06						
Finishing color		Black RAL9005 / White RAL 9016						
Material		PC / Aluminium						
Lifetime (hr)		50,000						
Glow wire test (°C)		850°C						
Operating Temp.(°C)		-20°C ~45 °C						
Storage Temp.(°C)		-20°C ~65 °C						
Installation		Recessed						
Brand Driver option		Philips, Tridonic, Meanwell						

# New Enterprise LED Downlight 3" / 4" / 6" / 8"

## Specifications

Model No.	GUNEN-18W-6		GUNEN-25W-6		GUNEN-6-35W		GUNEN-18W-8		GUNEN-25W-8		GUNEN-35W-8		GUNEN-40W-8		GUNEN-45W-8	
Watt(W)	18W		25W		35W		18W		25W		35W		40W		45W	
Dimension(mm)	Ø172*90						Ø228*99									
Cutout(mm)	Ø150-165						Ø200-210									
Rated Input Voltage(V)	AC230V															
Input Voltage(V)	AC200-240V															
LED	SMD															
SDCM	<6															
CCT(K)	1-CCT: 3000K / 4000K / 5000K / 5700K    3-CCT: 3000K + 4000K + 5700K															
Luminous Flux (lm) ±5%	1-CCT	Non-DIM	1750-1900	2350-2550	2940-3180	1800-1980	2450-2600	3600-4000	4000-4200	4500-4720						
		DIM	1700-1850	2300-2500	2870-3110	1760-1940	2380-2500	3500-3850	3800-4000	4360-4500						
	3-CCT	Non-DIM	1750-1900	2250-2650	2940-3180	1800-2070	2450-2800	3750-4000	4000-4400	4500-4950						
		DIM	1700-1850	2200-2600	2870-3110	1760-1980	2350-2700	3650-3850	3920-4320	4360-4500						
CRI	≥80															
Beam Angle (°)	80°															
LED Driver	Built-out															
DIM	Yes															
CCT Selection Switch	Yes															
Protection Class	Class II															
IP Rating	IP54															
IK Rating	IK06															
Finishing color	Black RAL9005 / White RAL 9016															
Material	PC / Aluminium															
Lifetime (hr)	50,000															
Glow wire test (°C)	850°C															
Operating Temp.(°C)	-20°C ~45 °C															
Storage Temp.(°C)	-20°C ~65 °C															
Installation	Recessed															
Brand Driver option	Philips, Tridonic, Meanwell															

# New Enterprise LED Downlight 3" / 4" / 6" / 8"

## Driver Datasheet (Non-Dimmable)

Power	10W	13W	18W	25W	35W	40W	45W
Rated Input Voltage(V)	AC230V						
Frequency	50/60Hz						
Input Voltage	AC200-240V						
Efficiency	≥75%	≥78%	≥82%	≥83%	≥84%	≥84%	≥84%
Total load wattage	10W±1W	13W±1W	18W±1W	25W±5%	35W±5%	40W±5%	45W±5%
Power Factor	0.9						
Rated Input Current	≤0.05A	≤0.07A	≤0.11A	≤0.13A	≤0.18A	≤0.21A	≤0.23A
Full load output voltage	DC28-40V	DC28-40V	DC28-40V	DC28-40V	DC28-40V	DC28-40V	DC28-40V
Rated output current	230mA	300mA	460mA	600mA	850mA	950mA	1050mA
Output current range	230mA±5%	300mA±5%	460mA±5%	600mA±5%	850mA±5%	950mA±5%	1050mA±5%
Power tolerance	±5%						
Current output tolerance	±5%						
Short circuit protection	PASS						
Over voltage protection	PASS						
Over temperature protection	PASS						
THD	<20% @ 230V						
Surge	500V			1KV			
Withstand voltage	AC3750						

## Driver Datasheet (Triac Dimmable)

Power	10W	13W	18W	25W	35W	40W	45W
Rated Input Voltage(V)	AC230V						
Frequency	50Hz						
Input Voltage	AC200-240V						
Power Factor	0.9						
Efficiency	82%	82%	85%	85%	85%	85%	85%
Total load wattage	10W±1W	13W±1W	18W±1W	25W±5%	35W±5%	40W±5%	45W±5%
Rated Input Current	≤0.06A	≤0.08A	≤0.1A	≤0.14A	≤0.2A	≤0.23A	≤0.24A
Full load output voltage	DC23-40V	DC23-40V	DC23-40V	DC23-40V	DC23-40V	DC23-40V	DC23-40V
Rated output current	230mA	280mA	430mA	600mA	800mA	950mA	1050mA
Output current range	230mA±5%	280mA±5%	430mA±5%	600mA±5%	800mA±5%	950mA±5%	1050mA±5%
Power tolerance	±5%						
Current output tolerance	±5%						
Dimming Range	8%-100%						
Short circuit protection	PASS						
Over voltage protection	PASS						
Over temperature protection	PASS						
THD	<20% @ 230V						
Surge	500V			1KV			
Withstand voltage	AC3750V						

Note: DALI & 0-10V driver specification, please refer to individual driver datasheet.