



greenlux
cost reduction LED lighting

Jupiter Series 02 LED Downlight

Available in Multiple Wattage
80% lumen maintenance at 50,000 hours

- No UV or IR rays. No mercury
- Triac/0-10V/Dali Dimmable System (option)
- Replaces traditional recessed lights
- High quality Citizen or Sharp COB chipset (option)
- High light output
- High quality housing made of pure aluminium
- IP40 Rated
- 3 Years Warranty
- Applications include shopping centres, walkways, hotels, restaurants, galleries, display cases & household

Specifications

Colour Range	3000 ~ 6000k
Power Consumption	9W ~ 48W
Luminous Flux	650lm ~ 3350lm
Input Voltage	100V/240V AC
Output Voltage	36V
Current	Single 200/250/350mA Twin 350/500/700mA Trio 500/700/1050mA
Operating Temp.	-20°C to 40°C
Beam angle *10%	45° ~ 70°
CRI	>85
Power Factor	>0.85
Chipset	Citizen or Sharp COB
Driver	Class II
IP Rating	IP40
Dimmable	Triac (standard) 0-10V or Dali (option)



Dimensions & Materials

Product Dimensions (mm)	Single	112*112*53
	Twin	200*112*69
	Trio	280*112*53
Cutout (mm)	Single	97*97
	Twin	180*97
	Trio	267*97
Housing Colour	White / Black	
Housing Materials	Aluminum Housing + PC Frosted or Clear Diffuser	

Certification and Safety

Certifications	IP40, CE, RoHS, SAA, RCM
Environment	Indoor Location
Warranty	3 years





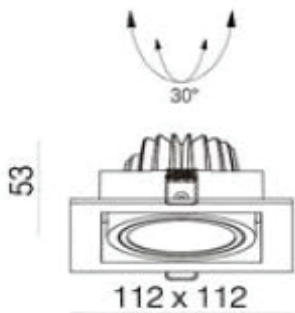
greenlux
cost reduction LED lighting

Jupiter Series 02 LED Downlight

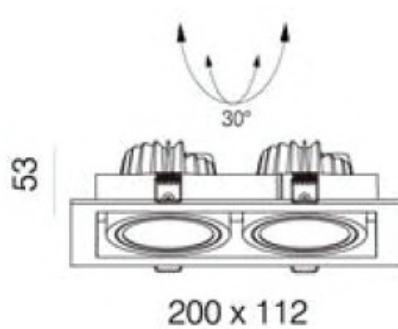
Available in Multiple Wattage
80% lumen maintenance at 50,000 hours

Dimensions & Photometrics

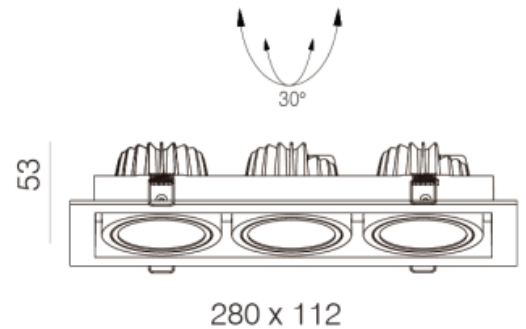
Single



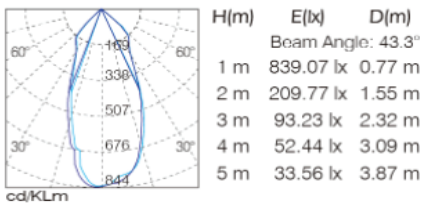
Twin



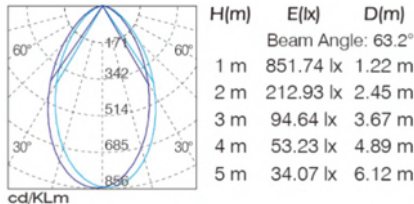
Trio



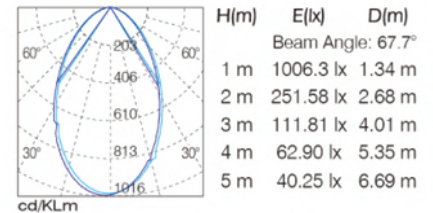
Single
9W



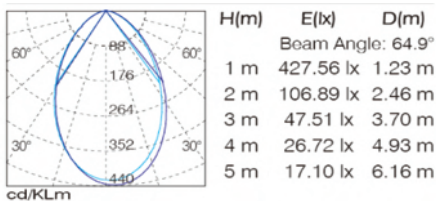
Twin
2*7W



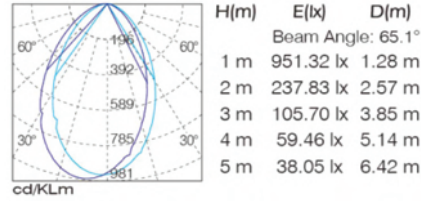
Trio
3*7W



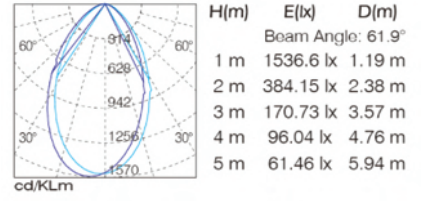
12W



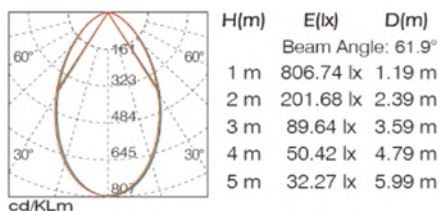
2*12W



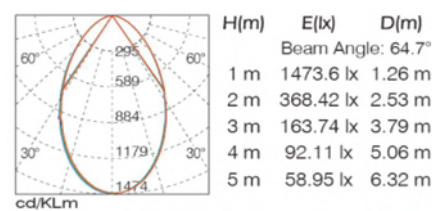
3*12W



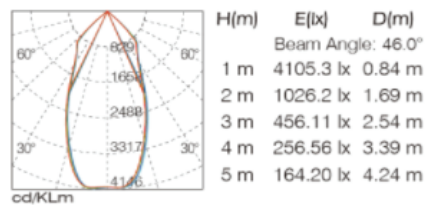
16W



2*16W



3*16W





greenlux
cost reduction LED lighting

Jupiter Series 02 LED Downlight

Available in Multiple Wattage
80% lumen maintenance at 50,000 hours

Model

Model#	Dimensions (mm)	Cutout (mm)	Beam Angle	CCT	Lumens	Wattage	LED	Dimmer (option)
GDJUP-9W-02	112*112*53	97*97	45° ~ 70°	3000-6000k	650	9W	COB	Triac
GDJUP-12W-02	112*112*53	97*97	45° ~ 70°	3000-6000k	850	12W	COB	Triac
GDJUP-16W-02	112*112*53	97*97	45° ~ 70°	3000-6000k	1150	16W	COB	Triac
GDJTW-14W-02	200*112*69	187*97	45° ~ 70°	3000-6000k	1150	2*7W	COB	Triac
GDJTW-24W-02	200*112*69	187*97	45° ~ 70°	3000-6000k	1750	2*12W	COB	Triac
GDJTW-32W-02	200*112*69	187*97	45° ~ 70°	3000-6000k	2260	2*16W	COB	Triac
GDJTR-21W-02	280*112*53	267*97	45° ~ 70°	3000-6000k	1700	3*7W	COB	Triac
GDJTR-36W-02	280*112*53	267*97	45° ~ 70°	3000-6000k	2300	3*12W	COB	Triac
GDJTR-48W-02	280*112*53	267*97	45° ~ 70°	3000-6000k	3350	3*16W	COB	Triac

