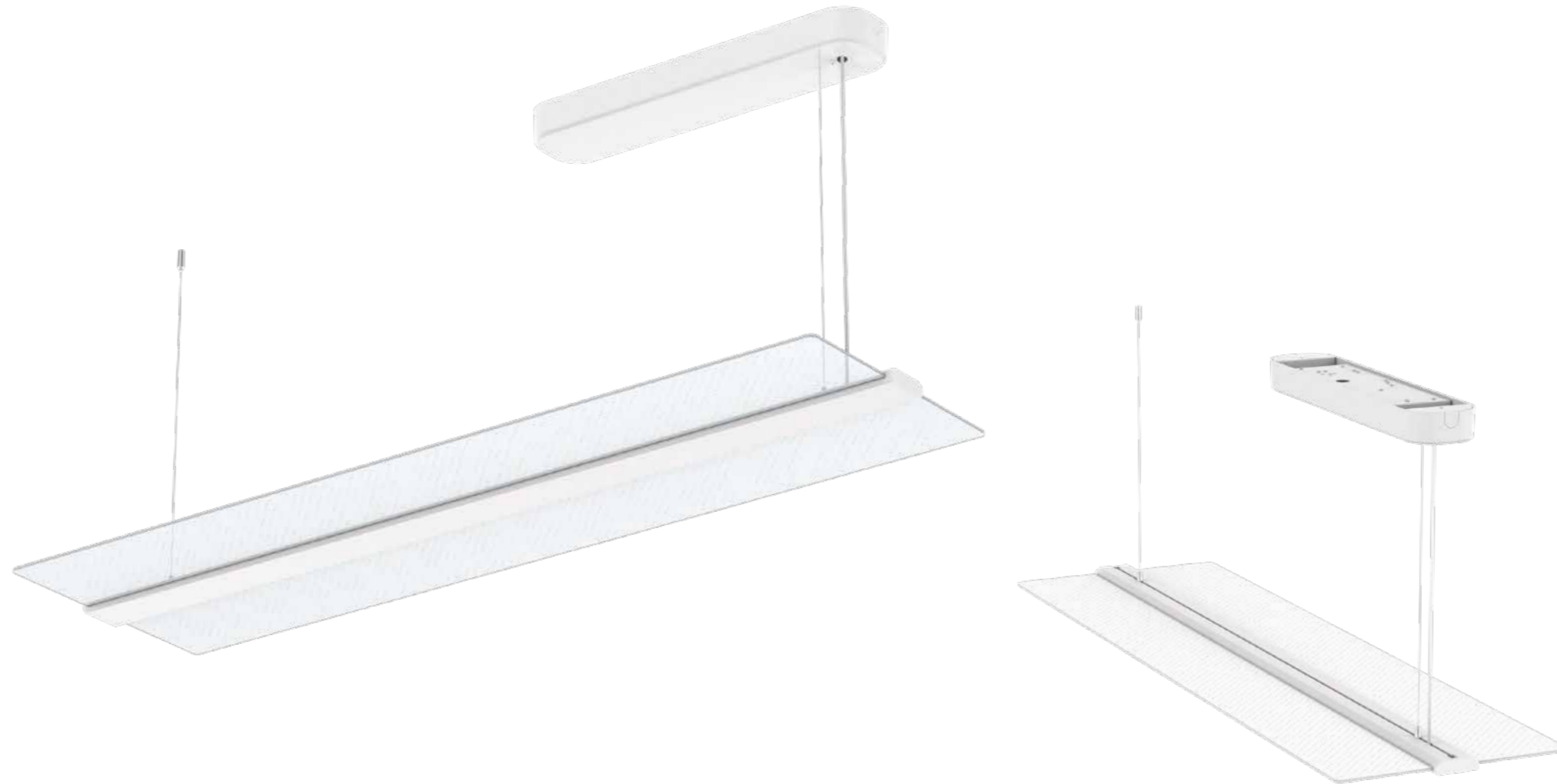


# Opal PL-H Series

## LED Hanging Panel Light

360° Beam Angle • All Direction Lighting • Linkable Version Available





## Introduction

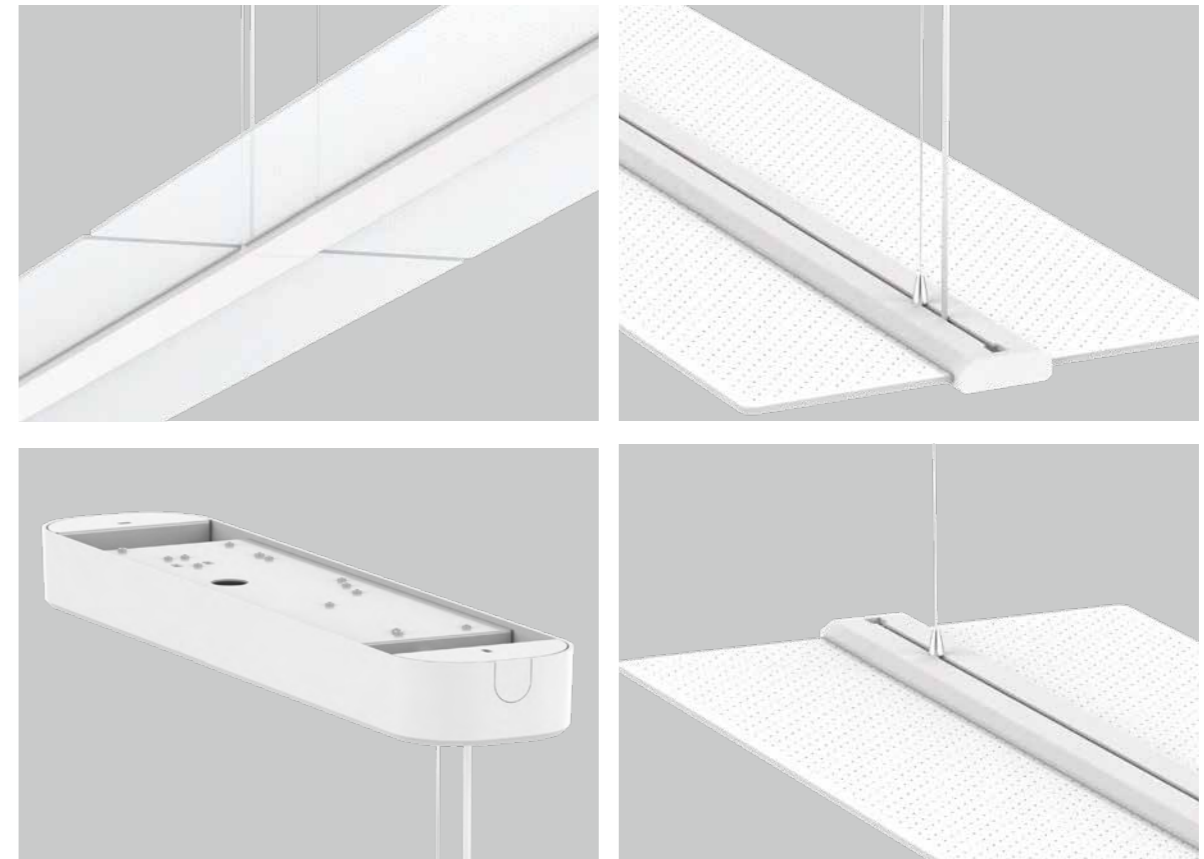
This panel light is a frameless, transparent and 360° lighting design. It provides all direction lighting which creates a great visual aesthetic feeling. Linkable version is available. The light adopts high lumen SMD light source. The 4mm transparent PMMA LGP makes a uniform, soft lighting output. and it reaches anti-glare UGR<19. 6063 aluminum heat sink makes an excellent thermal management. Magnetic mounting box can also save much time for installation.

## Features

- Down Lighting design 1:1 light distribution.
- Transparent design makes a great visual aesthetic feeling.
- Linkable version available.
- Anti-glare with UGR<19.
- High lumen efficiency, 120lm/W.
- All direction lighting, 360°beam angle.
- Fast installation with magnetic mounting box.
- Interchangeable CCT (3000K+4000K)with slide switch.
- External flicker free driver.
- Triac dim and DALI dimming options.

## Application Areas

It is widely used in office room, meeting room, waiting room, classroom etc.



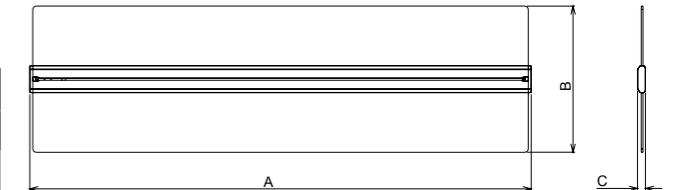


## Technical Data Sheet(1)

Model No.	GUOPA-40W-1235-H	GUOPA-40W-1235-H-D	GUOPA-60W-1235-H	
Dimension(mm)	1200*350*19			
Cutout (mm)	-			
Watt(W)	40W		60W	
Rated Input Voltage(V)	AC220-240V	AC200-240V	AC220-240V	
Input Voltage(V)	DC36V			
LED Module Input	-			
Light Source	SMD4014			
SDCM	<6			
CCT(K)	1-CCT: 3000K/4000K/5700K 2-CCT: 3000K + 4000K			
CCT Selection DIP Switch	YES			
Luminous Flux (lm) ±5%	Non-DIM	1-CCT	3700-4800lm	5500-7200
		DIM	3500-4800lm	5400-7200
	Non-DIM	2-CCT	3700-4800lm	5500-7200
		DIM	3500-4800lm	5400-7200
CRI	≥80 (≥90 Optional )			
Beam Angle (°)	120°			
UGR	UGR<19			
LED Driver	Built-out			
Dimming Option	Triac/ DALI			
Sensor	-			
Emergency Kits	-			
Electrical Class	Class I			
Ingress Protection (IP Rating)	IP20			
Impact Resistance (IK Rating)	-			
Product Finishing(Base)	White RAL9016			
Materials of Optics	PMMA			
Materials of Housing	Aluminium			
Lifetime (hr)	50,000h			
Glow wire test (°C )	-			
Operating Temp. (°C )	-10°C ~-40°C			
Storage Temp. (°C )	-20°C ~50°C			
Installation	Suspended			

## Measurement

Model	Dimension(mm)			Size(mm)	Product Weight (Kg)	
	A	B	C		N.W/PC	G.W/PC
GUOPA-H	1200	350	19	1200*350*19	4.5	1.2



## Driver Datasheet (Non- Dimmable)

Total load wattage		40W	60W
Output	Output Voltage range	30-40V	
	Rated output current	1000mA	1500mA
	Line Regulation	±5%	
	Setup, Rise Time	≤0.5S	
	Flickering Index	<3% (NO RISK)	
Input	Input Voltage	AC220-240V	
	Rated Input Voltage(V)	AC230V	
	Frequency	50/60Hz	
	Input Current	≤0.23A	≤0.34A
	Rated Input Current	0.2A	0.29A
	Power Factor	0.9	
	THD	<20%@AC230V	
	Efficiency	≥88%	
Protection	No load wattage	<0.5W	
	Short circuit protection	Pass	
	Over voltage protection	Pass	
Safety &EMC	Over temperature protection	Pass	
	Withstand voltage	I/P-O/P:3.75KVac,<5mA 60S; I/P-FG:1.6KVac,<5mA 60S; O/P-FG:0.5KVac,<5mA 60S	
	Isolation Resistance	I/P-O/P: 500VDC, ≥100M Ω	
	Surge	IEC/EN61000-4-5 (P≥25w L-N:1KV, L/N-PE:2KV)	
	EMC Emission	EN55015, EN61000-3-2	
EMC Immunity	EN61000-4-2,3,4,5,6,8,11; EN61547		

## Driver Datasheet (Triac Dimmable )

Total load wattage		40W
Output	Output Voltage range	DC30-40V
	Rated output current	950mA
	Line Regulation	±5%
	Setup, Rise Time	<0.5S
	Flickering Index	<5%(LOW RISK)
Input	Input Voltage	AC200-240V
	Rated Input Voltage(V)	AC230V
	Frequency	50Hz
	Input Current	≤0.23A
	Rated Input Current	0.2A
	Power Factor	0.9
	THD	<20% @230V
	Efficiency	≥85%
	No load wattage	<1W
Protection	Short circuit protection	Pass
	Over voltage protection	Pass
	Over temperature protection	Pass
Safety &EMC	Withstand voltage	I/P-O/P:3.75KVac, <5mA 60S;I/P-FG:1.6KVac, <5mA 60S;O/P-FG:0.5KVac, <5mA 60S
	Isolation Resistance	I/P-O/P: 500VDC, ≥100M Ω
	Surge	IEC/EN61000-4-5 (P≥25w L-N:1KV, L/N-PG:2KV)
	EMC Emission	EN55015, EN61000-3-2
	EMC Immunity	EN61000-4-2,3,4,5,6,8,11; EN61547

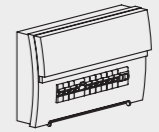
## Driver Datasheet (DALI)

Total load wattage		40W	60W
Output	Output Voltage range	DC25-42V	
	Rated output current	1000mA	1450mA
	Line Regulation	±5%	
	Setup, Rise Time	<1S	
	Flickering Index	<1%	
Input	Input Voltage	AC200-240V	
	Rated Input Voltage(V)	AC230V	
	Frequency	50/60Hz	
	Input Current	≤0.23A	≤0.45A
	Rated Input Current	0.18A	0.29A
	Power Factor	0.9	
	THD	<20% @230V	
	Efficiency	≥88%	
	No load wattage	<1W	
Protection	Short circuit protection	Pass	
	Over voltage protection	Pass	
	Over temperature protection	Pass	
Safety &EMC	Withstand voltage	I/P-O/P:3.75KVAC	
	Isolation Resistance	-	
	Surge	IEC/EN61000-4-5 (P≥25w L-N:1KV, L/N-PG:2KV)	
	EMC Emission	EN55015, EN61000-3-2	
	EMC Immunity	EN61000-4-2,3,4,5,6,8,11; EN61547	

## Installation Procedure

### WARNING ⚡

- 1.Switch off power supply before installation / maintenance.
- 2.Switch on after completing installation and examination of the circuit.
- 3.The Panel Light must be installed and maintained by professional electrician.



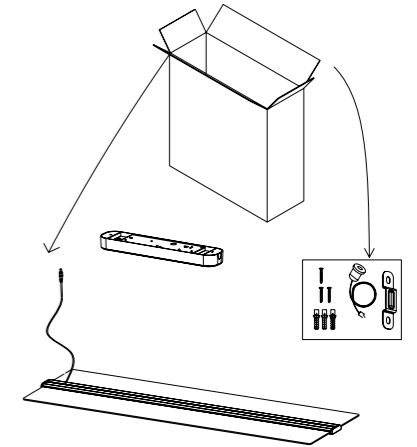
**Turn Off  
Power Supply**

Turn off power supply before installation. Read instructions and make sure you have all the tools and accessories before installation.

### Suspended Installation

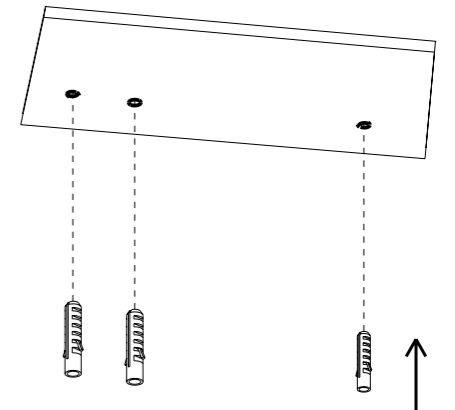
#### Step1

Take out panel and accessory pack from box.



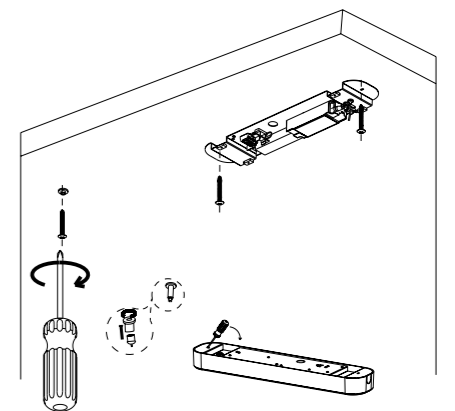
#### Step2

Knock the plastic anchor into ceiling.



#### Step3

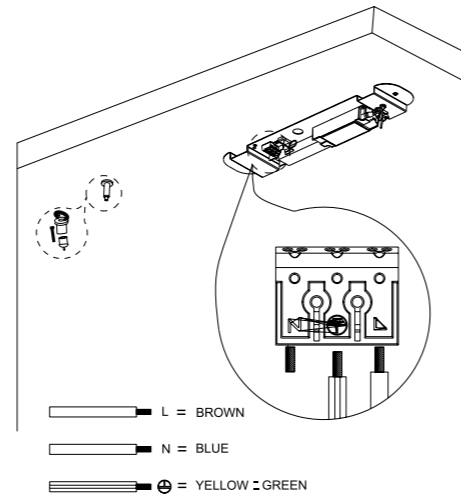
Open the driver box, fasten the bracket and self-lock device on the ceiling.





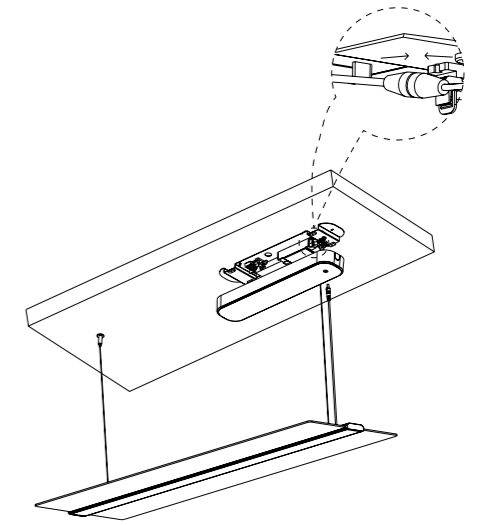
**Step4**

Connect AC wire correctly, rotate the steel wire end part and fix it with the bracket.



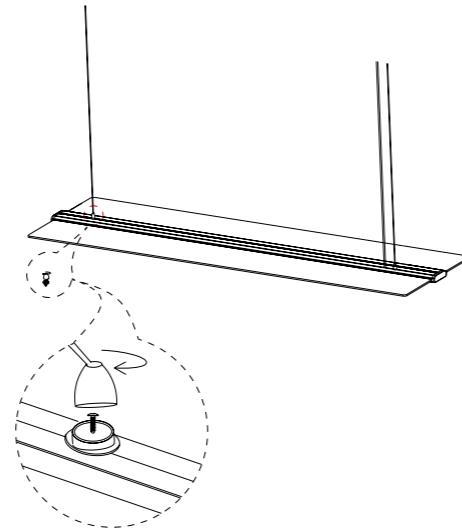
**Step7**

Fix the steel wire into the end connector, connect male and female plug, then cover the mounting box.



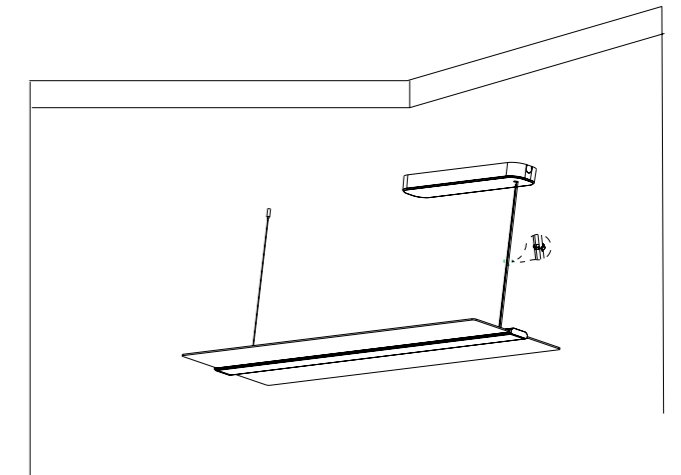
**Step5**

Fix steel wires in panel.



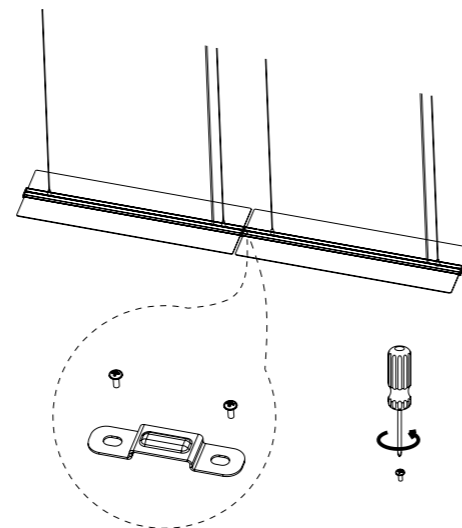
**Step8**

Adjust a suitable length of steel wire, fix the wires with cable clip.



**Step6**

For splicing version only: remove end cap screws, then align the connector with screw holes.



**Step9**

Switch on power, installation complete.

